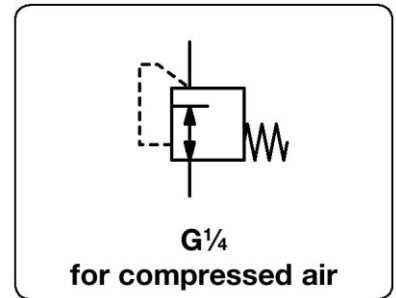


232A - Régulateur de pression en cartouche, non réglable, consigne de 2 à 6 bar, G1/4"

232A - Cartridge pressure regulator, 2 to 6 bar, factory set, G1/4 ported

Description	Cartridge pressure regulator suitable for assembly block.		
Media	compressed air or non-corrosive gases		
Supply pressure	max. 12 bar		
Adjustment	Select the pressure regulator according to the desired outlet pressure. The outlet pressure cannot be subsequently adjusted. This safeguards against tampering.		
Relieving function	non-relieving		
Temperature range	-20 °C to 60 °C / -4 °F to 140 °F		
Material	Body: brass Elastomer: NBR	Piston: brass Filter: stainless steel	



Dimensions		Flow rate	Supply pressure	Connection thread	Outlet pressure	Order number
A	A/F					
mm	mm	l/min*1	max. bar	G	bar*2	

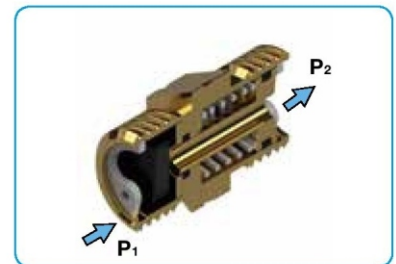
Factory-set outlet pressure						P ₁ : max. 12 bar, non-relieving, outlet pressure accuracy *2	233
24	14	350	12	G1/4 a	2	233G0220	
					3	233G0230	
					4	233G0240	
					6	233G0260	



233

Special options, add the appropriate letter

NPT	connection thread	233GX2.0
-----	-------------------	----------

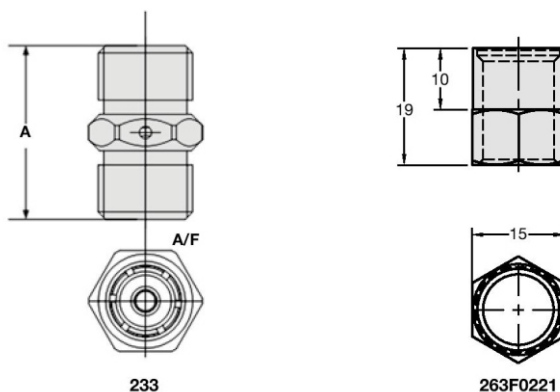


Accessories, enclosed

Adapter G1/4	263F0221
--------------	----------



233 incl. adapter



233

263F0221

*1 P_s = 12 bar; Δp = 0.5 bar

*2 Tolerance: 2 bar ± 0,6 bar (air, P_s = 6 bar, 10 NI/min)
4 bar ± 0,8 bar (air, P_s = 6 bar, 10 NI/min)
6 bar ± 1,0 bar (air, P_s = 10 bar, 10 NI/min)

