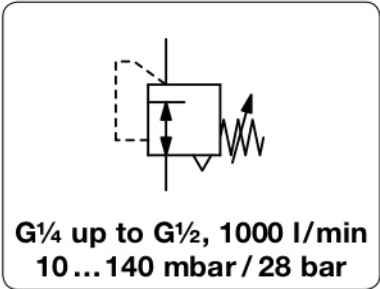


# 10 - Régulateur de pression de précision, à forte capacité en débit et très stable

<b>Description</b>	The diaphragm pressure regulator provides precision regulation in high flow applications. A balanced inner valve, sensitive rolling diaphragm and carefully positioned aspirator tube ensure constant outlet pressure even with changing supply pressure and flow fluctuations.	
<b>Media</b>	compressed air or non-corrosive gases	
<b>Supply pressure</b>	max. 35 bar	
<b>Accuracy</b>	response sensitivity: < 2 mbar	
<b>Air consumption</b>	max. 6 l/min, subject to outlet pressure	
<b>Adjustment</b>	by handwheel with locknut	
<b>Relieving function</b>	relieving, optionally non-relieving	
<b>Relief capacity</b>	150 l/min at 1.5 bar outlet and 0.35 bar overpressure above setpoint	
<b>Gauge port</b>	G $\frac{1}{4}$ on both sides of the body, optionally $\frac{1}{4}$ " NPT	
<b>Temperature range</b>	0 °C to 90 °C / 32 °F to 194 °F, for appropriately conditioned compressed air down to -40 °C / -40 °F	
<b>Material</b>	Body: aluminium die-cast Elastomer: NBR/Buna-N, optionally FKM	Mounting position any Inner valve: stainless steel and brass



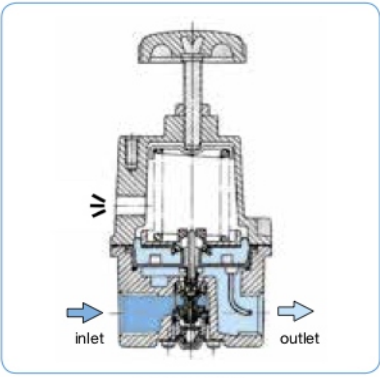
Dimensions			K <sub>v</sub> -value	Flow rate	Connection thread	Pressure range	Order number
A	B	C					
mm	mm	mm	(m <sup>3</sup> /h)	m <sup>3</sup> /h*1 l/min*1	G	bar	*

Precision pressure regulator			supply pressure max. 35 bar, relieving, with constant bleed		Model 10			
67	169	26	0.64	60	1000	G $\frac{1}{4}$	0.01 ... 0.14 0.01 ... 0.7 0.01 ... 1.4 0.01 ... 2.1 0.07 ... 4.1 0.14 ... 10 0.20 ... 14	10212H 10222H 10202H 10232H 10242H 10262H 10272H
67	178	26	0.64	60	1000	G $\frac{1}{4}$	0.30 ... 21 0.30 ... 28	10282H 10292H



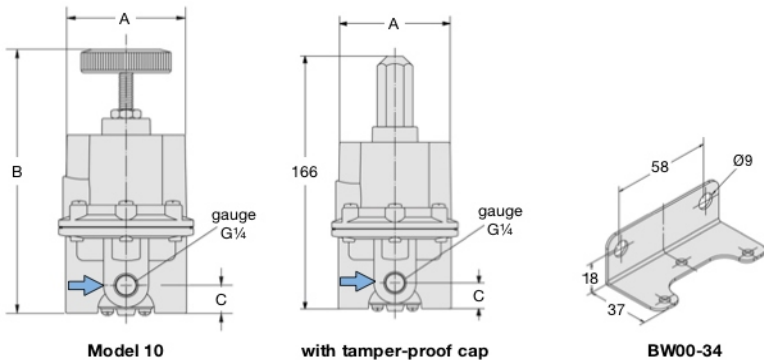
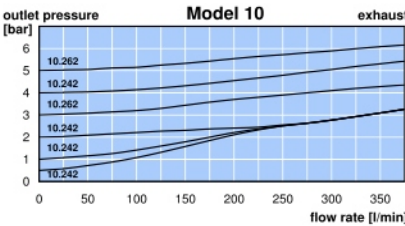
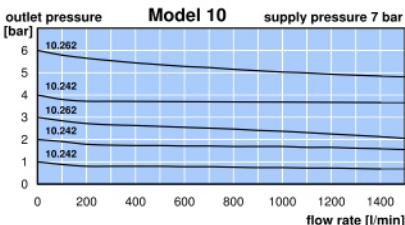
**Special options, add the appropriate letter**

G $\frac{3}{8}$	connection thread	102.3H
G $\frac{1}{2}$	connection thread, recommended for mbar-range	102.4H
NPT	connection thread	102.2
non-relieving	and without constant bleed	102.2.N
reduced bleeding	approx. 2 l/min	102.2.B
for small flow rate	high constant bleed for more sensitivity	102.2.L
tapped exhaust	G $\frac{1}{4}$ connection thread	102.2.E
FKM elastomer		102.2.J
tamper-proof cap	aluminium, adjustment by screwdriver, total height 166 mm	102.2.T
for oxygen	specially cleaned	102.2.SC
non-ferrous metal-free	FKM elastomer	102.2.X63



**Accessories, enclosed**

pressure gauge	Ø 63 mm, 0...160 mbar, G $\frac{1}{4}$ , capsule type	MA6302-C2
pressure gauge	Ø 50 mm, 0...*2 bar, G $\frac{1}{4}$ , Bourdon tube	MA5002-...*2
gauge connectors	for NPT ports, adapter $\frac{1}{4}$ " NPT - G $\frac{1}{4}$ female	VP-0202N
mounting bracket	made of steel	BW00-34



\*1 at 7 bar supply pressure, 6 bar outlet pressure and 1 bar pressure drop  
\*2 01 = 0...1 bar, 02 = 0...2,5 bar, 06 = 0...6 bar, 10 = 0...10 bar, 16 = 0...16 bar, 25 = 0...25 bar, 60 = 0...60 bar

