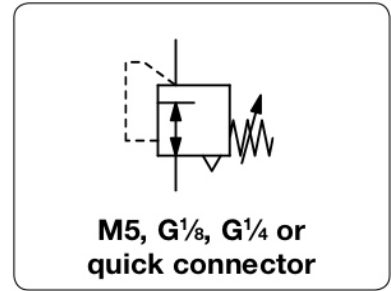


R7 - Détendeur de pression, miniature

Conception modulaire permettant l'assemblage d'unité en 3D

Description	Miniature pressure regulator with unique modular dovetail design allowing its individual use or assembly into a modular combination of pneumatic components through connector slides.	
Identification marking	The item no. includes a four-digit number starting with the input port and continuing counterclockwise. The digit corresponds with the type of connector slide, e.g. 1 for G $\frac{1}{8}$, 2 for G $\frac{1}{4}$ or B for blank.	
Pressure regulator R7	Designed for precise regulation of pressure. The regulator possesses a 20 turn adjustment range and excellent repeatability. The valve seat is protected by a filter/strainer at the input port.	
Media	5 μ m filtered compressed air and non-corrosive gases	Supply pressure max. 10 bar
Accuracy	at supply pressure variation of 1 bar: at supply pressure removal/reapplication: at variations in temperature of 25 °C / K:	< 10 mbar pressure deviation < 10 mbar pressure deviation < 10 mbar pressure deviation
Air consumption	0.3 l/min at 7 bar supply pressure	Adjustment by knob
Relieving function	relieving	Mounting position any
Gauge port	G $\frac{1}{8}$ via threaded slide	



Dimensions			Flow rate	Supply pressure	Connection thread	Pressure rang	Order number
A	B	C					
mm	mm	mm	l/min*1	max. bar	G	bar	

Precision regulator			with adjusting knob, relieving, gauge port G $\frac{1}{8}$ on one side		R7		
47	92	14	140	10	G $\frac{1}{8}$	0.01 ... 0.7 0.02 ... 2.1 0.03 ... 4.1 0.03 ... 7.0	R7-010-111B R7-030-111B R7-060-111B R7-100-111B
51	92	14	140	10	G $\frac{1}{4}$	0.01 ... 0.7 0.02 ... 2.1 0.03 ... 4.1 0.03 ... 7.0	R7-010-212B R7-030-212B R7-060-212B R7-100-212B

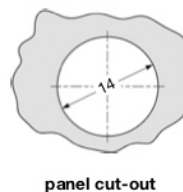
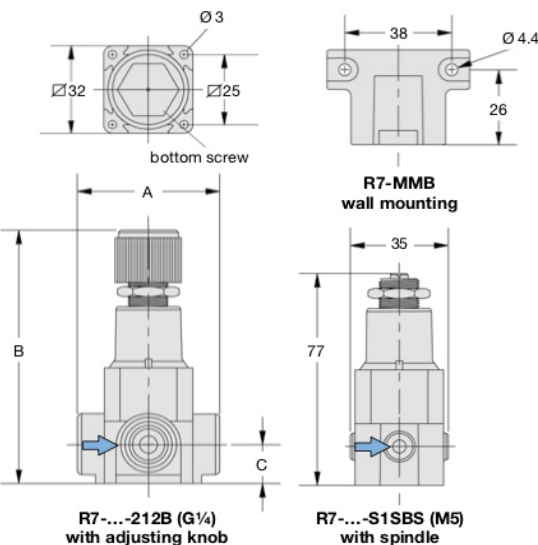


Special options, add the appropriate letter or number

with spindle	screwdriver adjustment, height 77 mm	R.-...-...S
thread	M5 connection thread	R.-...-S...
	G $\frac{1}{8}$	R.-...-1...
	G $\frac{1}{4}$	R.-...-2...
quick connector	external diameter of hose	R.-...-4...
	Ø 6	R.-...-6...
	Ø 8	R.-...-8...
breach plate		R.-...-B...
connection plate	with permanent pressure supply	R.-...-U...
	without passage, modular combination of two devices	R.-...-C...
wall mounting	at breach plate	R.-...-W...

Accessories, enclosed

pressure gauge	Ø 23 mm, 0...*2 bar, G $\frac{1}{8}$	MA2301-...*2
-----------------------	--------------------------------------	--------------



*1 at 7 bar supply pressure, 6 bar outlet pressure and 1 bar pressure drop
*2 04 = 0...4 bar, 06 = 0...6 bar, 10 = 0...10 bar