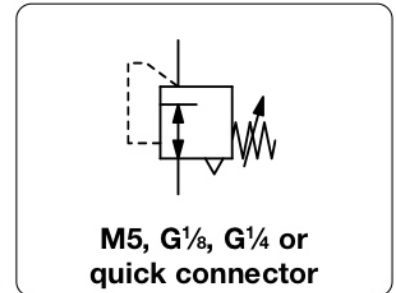


R6 - M5000 - régulateur de pression miniature avec grand choix de raccordement

Raccordement en applique possible sur 4 faces et sur le dessus

Description	
Pressure regulator R6	Design as R7 but for bottom-sided flange assembly via fittings and o-rings made of NBR/Buna-N. Mounting through four screws (M3) with extremely small screw heads.
Pressure regulator RP	This model guards against unauthorised tampering of pressure. Alternatively available with preset pressure. The pressure is to be set between 30 mbar and 2.8 bar. Its headroom is reduced to 49 mm.
Diverter block M5000	M3000 features four ports sideways and one on top. All ports can be provided with threads or blank slides, the ports sideways optionally with connector slides.
Top cover	• blank cover (B) • with G $\frac{1}{8}$ thread (1) • with G $\frac{1}{4}$ thread (2) • with M5 thread (10-32 UNF)
Connector slide	to join two units • without through hole (C) • with through hole (U)
Assembly	After loosening the bottom screw any placements of threads, connector and blank slides are possible. Sealing results from o-rings made of NBR/Buna-N.
Temperature range	4 °C to 70 °C / 39.2 °F to 158 °F
Material	Body: glass fiber-reinforced Celcon Inner valve: stainless steel and Celcon Elastomer: NBR/Buna-N



Dimensions			Flow rate l/min*1	Supply pressure max. bar	Connection thread G/flange	Pressure range bar	Order number
A mm	B mm	C mm					

Precision regulator with flange						with adjusting knob, relieving, gauge port G $\frac{1}{8}$ on one side	R6
47	92	-	140	10	flange	0.01 ... 0.7	R6-010-B1BB
						0.02 ... 2.1	R6-030-B1BB
						0.03 ... 4.1	R6-060-B1BB
						0.03 ... 7.0	R6-100-B1BB

Regulator with adjustment lock						adjustment with socket wrench, relieving, gauge port G $\frac{1}{8}$ on one side	RP
47	49	14	140	10	G $\frac{1}{8}$	0.03 ... 2.8 *2	RP7-040-111B
32	49	-			flange	0.03 ... 2.8 *2	RP6-040-B1BB

Diverter block G $\frac{1}{8}$						e.g. all ports G $\frac{1}{8}$	M5000
47	42	14	without filter	-	G $\frac{1}{8}$	-	M5000-11111
			with filter, 380 μ m		connection		M5001-11111

Special options and accessories
see adjoining page



R6

R6



RP7
for socket wrench

RP6
with flange



M5000-SBSBS

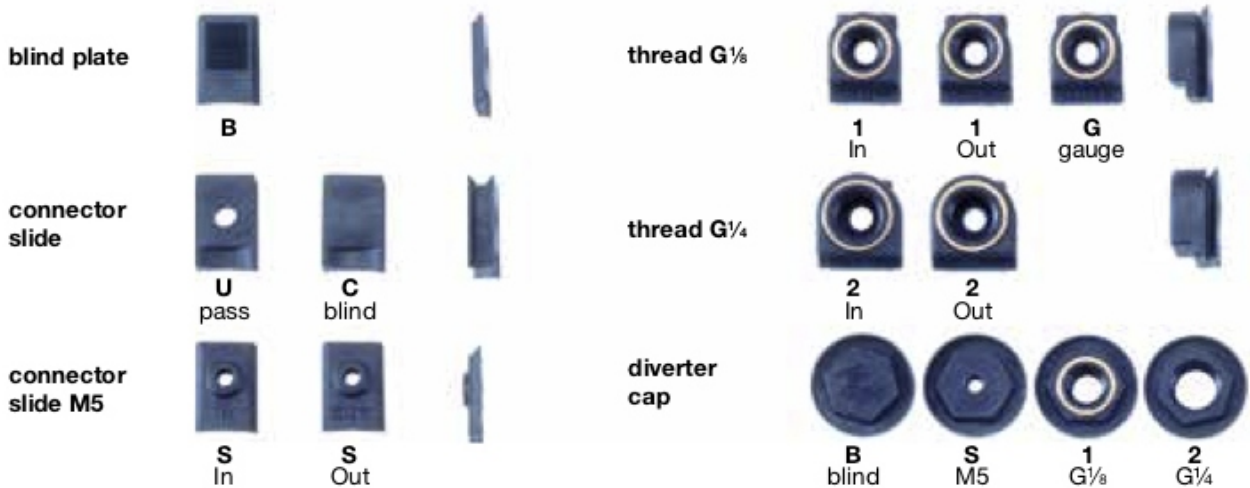
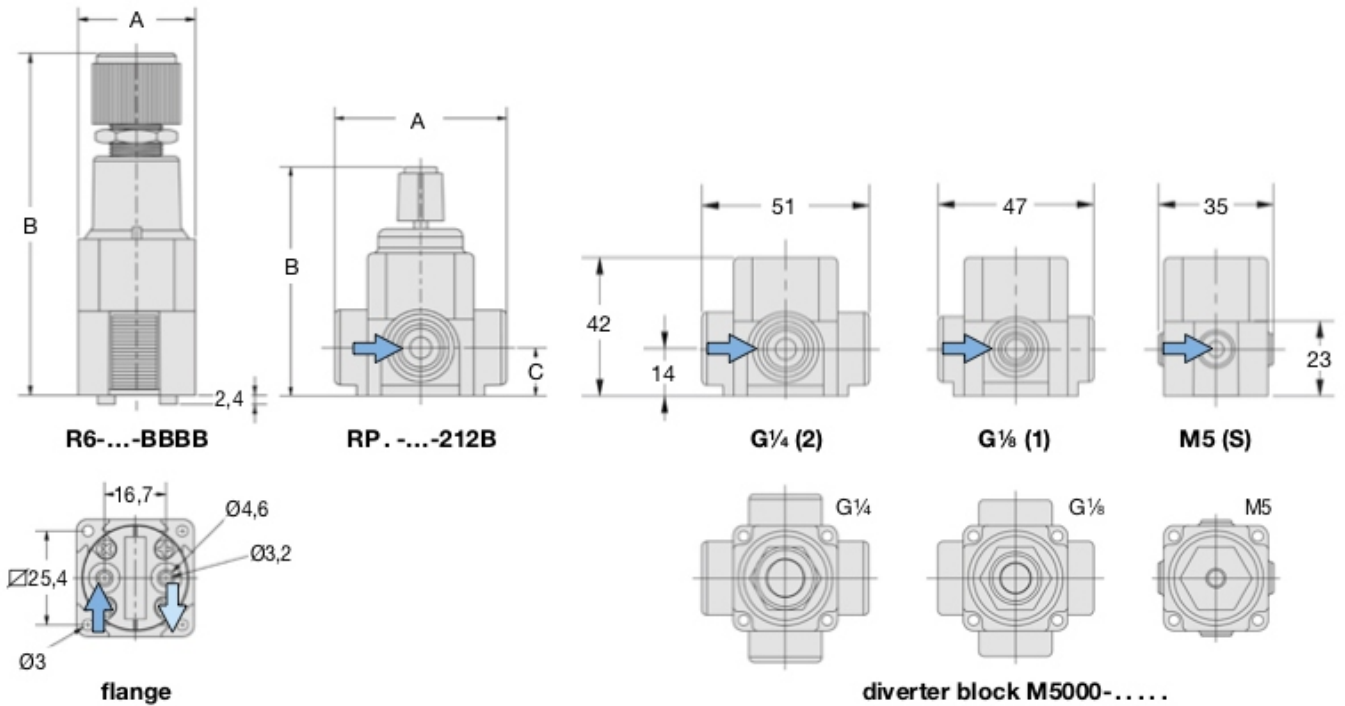
M5000-1S1SB



M5000-11111, G $\frac{1}{8}$

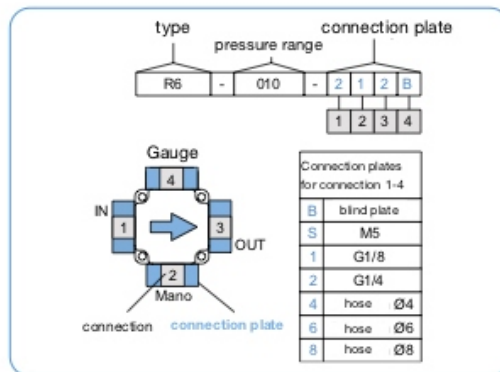
M5000-22222, G $\frac{1}{4}$

R6 - M5000 - régulateur de pression miniature avec grand choix de raccordement
Raccordement en applique possible sur 4 faces et sur le dessus



*1 at 7 bar supply pressure, 6 bar outlet pressure and 1 bar pressure drop

*2 indicate preset pressure on order



connector slides configuration