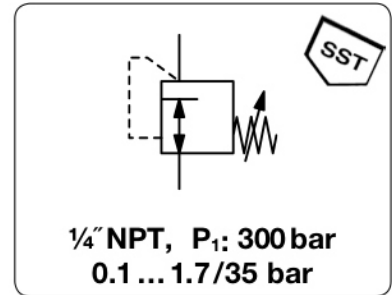


HP500 - Régulateur haute pression, à fort débit, corps en laiton ou en acier inoxydable, raccordement 1/4" NPT

Description	Piston-operated high pressure regulator HP500R and diaphragm-operated HP500 are marked by high flow and great reliability.	
Media	compressed air, non-corrosive gases or liquids	
Supply pressure	max. 300 bar	
Accuracy	at supply pressure variation of 7 bar: < 120 mbar pressure deviation	
Adjustment	by black plastic knob	Leakage rate < 2x 10 ⁻⁸ mbar l/s He
Relieving function	non-relieving, optionally relieving	Gauge port 1/4" NPT for inlet / outlet pressure, shifted by 70°
Mounting position	any	
Temperature range	-40 °C to 75 °C / -40 °F to 167 °F	
Material	Body: brass, optionally stainless steel (spring cage brass), stainless steel completely on request	
	Seals: FKM	
	Spring cage: nickel-plated	Valve seat: Teflon PFA
	Inner valve: stainless steel	Diaphragm: stainless steel



Dimensions			K _v -value (m ³ /h)	Flow rate m ³ /h*1 / l/min*1	Connection thread NPT	Pressure range bar	Order number
A	B	C					

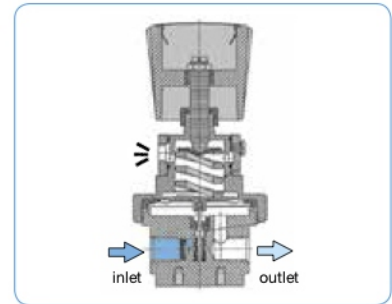
High pressure regulator 300 bar			non-relieving, brass	HP500				
50	137	19	0.05	90	1500	1/4" NPT	0.1 ... 1.7	HP500-002
							0.1 ... 3.5	HP500-004
							0.1 ... 7.0	HP500-007
							0.2 ... 17	HP500-017
							0.3 ... 35	HP500-035



HP500

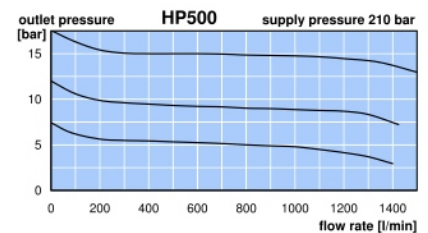
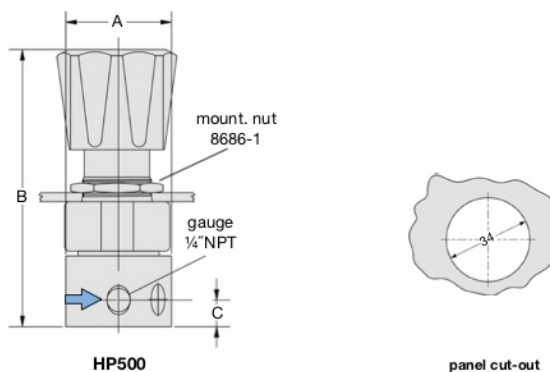
Special options, add the appropriate letter

relieving		HP500-...R
body made of SST		HP500-...S
free of grease and oil	suitable for oxygen, P ₁ < 200 bar	HP500-...L
for liquids	w/o filter at inlet, valve seat of Vespel	HP500-...W
brass pressure gauge	for brass body, inlet side	HP500-...HM
	for brass body, outlet side	HP500-...GM
SST pressure gauge	for stainless steel body, inlet side	HP500-...H
	for stainless steel body, outlet side	HP500-...G



Accessories, enclosed

mounting nut	for panel mounting, made of stainless steel	8686-1
---------------------	---	---------------



*1 at 240 bar supply pressure and 30 bar outlet pressure