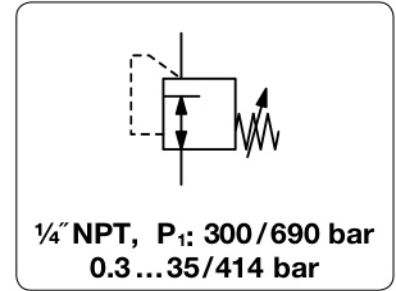


HP300 - HP400 - Régulateur haute pression pour air comprimé, gaz neutres et liquides, option oxygène possible, corps laiton ou acier inoxydable

Description	Piston-operated high pressure regulator HP300 / HP400 are marked by high flow and great reliability.	
Media	compressed air, non-corrosive gases or liquids	
Supply pressure	max. 690 bar at HP300,	max. 414 bar at HP400
Accuracy	at supply pressure variation of 7 bar: < 5 mbar pressure deviation at HP300, < 250 mbar pressure deviation at HP400	
Adjustment	by black plastic knob	
Relieving function	non-relieving, optionally relieving	Leakage rate < 10 ⁻⁴ mbar l/s He
Mounting position	any	Gauge port ¼" NPT for inlet / outlet pressure, shifted by 70°
Temperature range	- 5 °C to 75 °C / 23 °F to 167 °F for HP300	-25 °C to 75 °C / -13 °F to 167 °F for HP400
Material	Body: brass, optionally stainless steel (spring cage brass), stainless steel completely on request	
	Seals: NBR at HP300 (relieving), FKM at HP300 (non-relieving) / HP400	
	Spring cage: brass at HP300, nickel-plated at HP400	
	Valve seat: Vespel at HP300 / HP400 (relieving), Teflon PFA at HP400 (non-relieving)	
	Inner valve: stainless steel	



Dimensions			K _v -value (m ³ /h)	Flow rate m ³ /h*1	Flow rate l/min*1	Connection thread NPT	Pressure range bar	Order number
A	B	C						

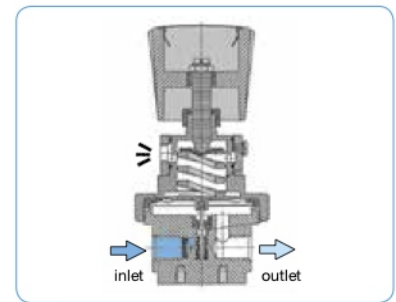
High pressure regulator 414 bar			non-relieving, brass		HP300			
55	175	19	0.05	90	1500	¼" NPT	0.3 ... 35	HP300-035
							0.6 ... 55	HP300-055
							0.7 ... 104	HP300-105
							1.0 ... 172	HP300-175
							1.7 ... 276	HP300-280
							3.4 ... 414	HP300-415



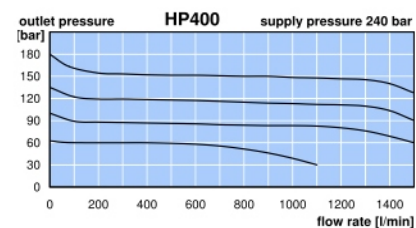
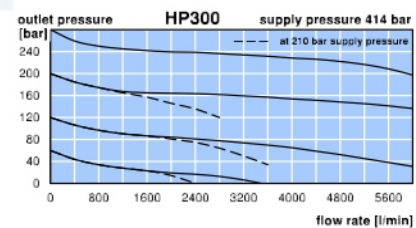
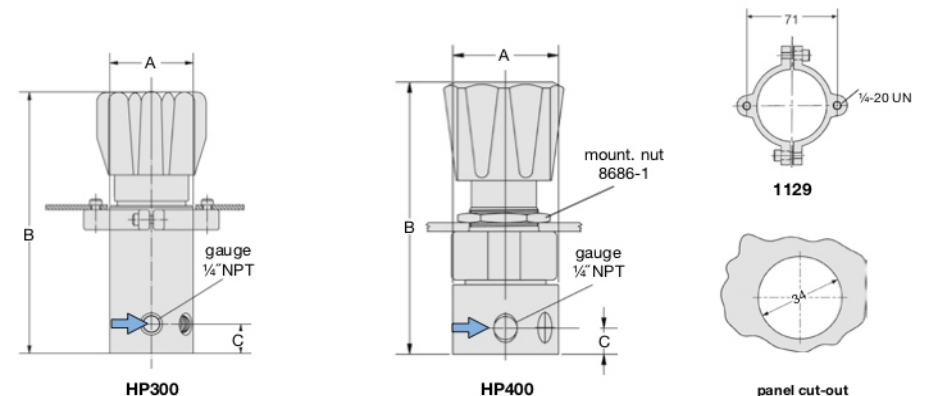
High pressure regulator 414 bar			non-relieving, brass		HP400			
50	137	13	0.05	90	1500	¼" NPT	0.7 ... 104	HP400-104
							1.0 ... 172	HP400-170



Special options, add the appropriate letter			
relieving		HP300-...R	
		HP400-...R	
body made of SST		(690 bar) HP300-...S	
		(414 bar) HP400-...S	
for oxygen	especially cleaned, P ₁ < 200 bar	for HP300/400	HP.00-...15
for liquids	w/o filter at inlet, valve seat of Nylatron	for HP300	HP300-...W
	w/o filter at inlet, valve seat of Vespel	for HP400	HP400-...W
brass pressure gauge	for brass body, inlet side		HP.00-...HM
	for brass body, outlet side		HP.00-...GM
SST pressure gauge	for stainless steel body, inlet side		HP.00-...H
	for stainless steel body, outlet side		HP.00-...G



Accessories, enclosed			
set of mounting brackets	aluminium	for HP300	1129
mounting nut	for panel mounting, made of stainless steel	for HP400	8686-1



*1 at 240 bar supply pressure and 30 bar outlet pressure