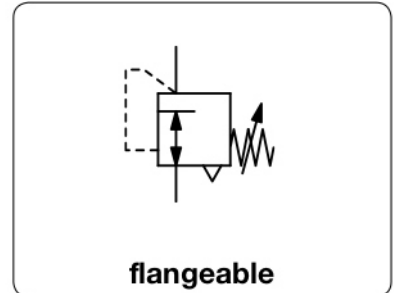


R308 - Régulateur de pression, montage en applique Idéal pour systèmes portatifs, possible pour oxygène

| | |
|---------------------------|--|
| Description | Precision pressure regulator, made of plastic, diaphragm-operated, with tamper-proof knob and without constant bleed. Excellent for portable systems thanks to small size and light weight of only 70 g. The regulator is suitable for oxygen and air. |
| Media | compressed air or non-corrosive gases |
| Supply pressure | max. 10 bar |
| Adjustment | by plastic knob with snap-lock |
| Relieving function | relieving, optionally non-relieving |
| Gauge port | not available |
| Mounting position | any |
| Temperature range | 0° C to 60 °C / 32 °F to 140 °F |
| Material | Body: POM Elastomer: NBR/Buna-N Inner valve: brass |



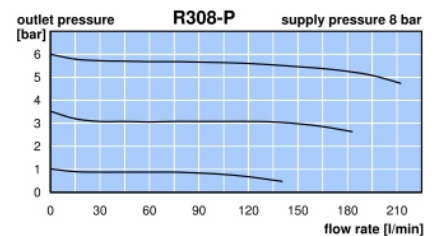
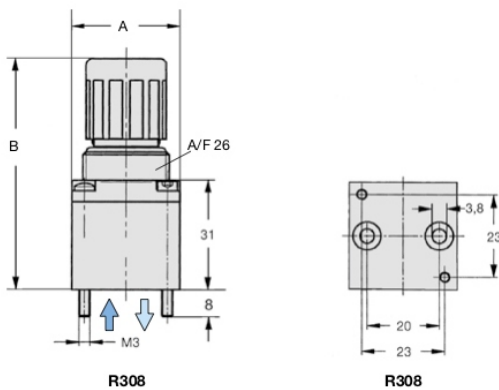
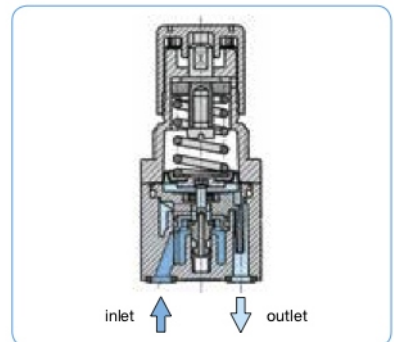
| Dimensions | | Flow rate | Supply pressure | Connection | Pressure range | Order number |
|------------|----|-----------|-----------------|------------|----------------|--------------|
| A | B | | | | | |
| mm | mm | l/min** | max. bar | flange | bar | |

| Precision regulator with flange | | | | supply pressure max. 10 bar, relieving, without constant bleed | R308 |
|---------------------------------|----|-----|----|--|-------------------------|
| 30 | 64 | 200 | 10 | flange | 0 ... 0.25 R308-P00 |
| | | | | | 0.2 ... 2.5 R308-P0B |
| | | | | | 0.2 ... 3.5 R308-P0C |
| | | | | | 0.2 ... 8.0 R308-P0D |



R308, flangeable

| Special options, add the appropriate letter | | |
|---|---------------------------------------|--------------|
| non-relieving | without relieving function | R308-P0. K |
| or oxygen | specially cleaned, with oxygen grease | R308-P0. K15 |



**1 for compressed air: 8 bar supply pressure, 6 bar outlet pressure and 1 bar pressure drop