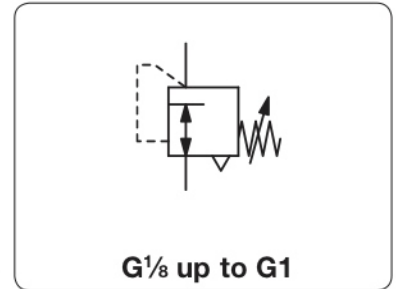


# RS - Détendeur de pression, avec condamnation du réglage, avec serrure.

<b>Description</b>	Pressure regulator with diaphragm of solid design lockable with key, cylinder lock of brass	
<b>Media</b>	compressed air or non-corrosive gases	
<b>Supply pressure</b>	max. 16 bar	
<b>Air consumption</b>	no air consumption	
<b>Adjustment</b>	by beaded, cylindrically handwheel	
<b>Relieving function</b>	relieving	
<b>Gauge port</b>	G $\frac{1}{8}$ on both sides of the body	
<b>Mounting position</b>	any	
<b>Temperature range</b>	-10°C to 60°C / 14°F to 140°F	
<b>Material</b>	Body: zinc die-cast	Diaphragm: NBR/Buna-N and brass
	Lock cylinder: brass	Bottom screw: POM
	Spring cage: POM and brass	O-ring: NBR/Buna-N
	Adjusting spring: steel zinc-plated	Return spring: stainless steel



Dimension			K <sub>v</sub> -value	Flow-rate	Connection thread	Pressure range	Order Number
A	B	C					

Lockable pressure regulator							supply pressure max. 16 bar, NBR elastomer for compressed air and neutral gases		RS
40	113	22	1,2	60	1000	G $\frac{1}{8}$	0,1 ... 3	0,2 ... 6	RS-01A RS-01B RS-01C
48	123	27	1,4	90	1500	G $\frac{1}{4}$	0,1 ... 3	0,2 ... 6	RS-02A RS-02B RS-02C RS-02D
69	156	35	5,2	360	6000	G $\frac{1}{2}$	0,1 ... 3	0,2 ... 6	RS-04A RS-04B RS-04C RS-04D
100	209	52	6,1	600	10000	G1	0,1 ... 3	0,2 ... 6	RS-08A RS-08B RS-08C RS-08D

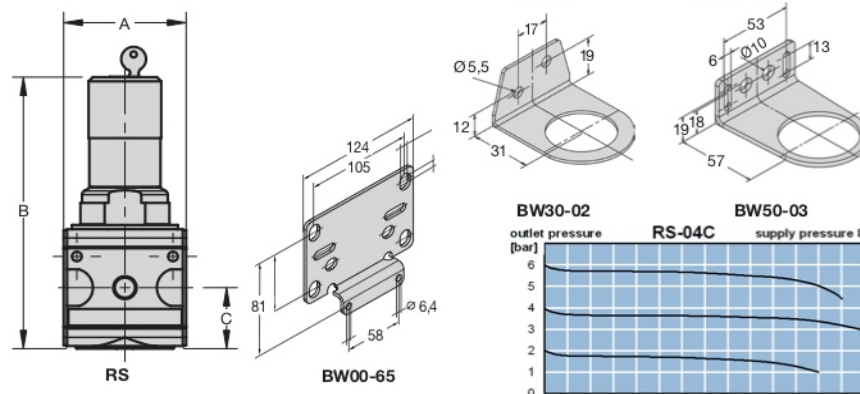
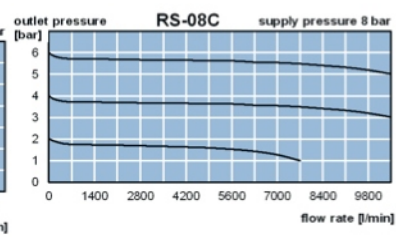
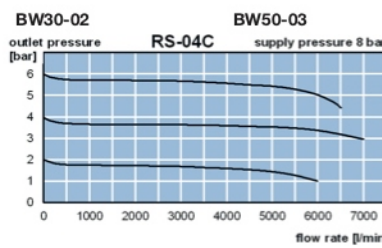
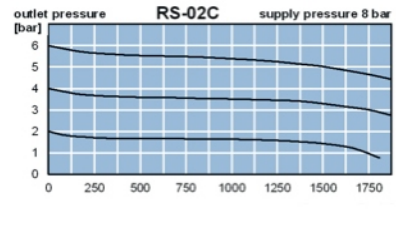
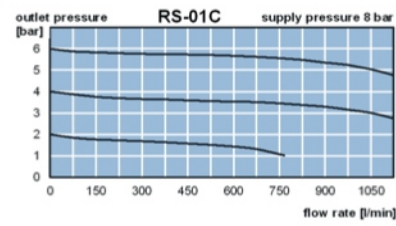


**Special options,** add the appropriate letter

up to -40°C      low temperature version      RS-0 .. X51

FKM elastomer      RS-0 .. V

Accessories, enclosed						
pressure gauge	Ø 40 mm,	0... <sup>*2</sup> bar	G $\frac{1}{8}$	for G $\frac{1}{8}$	MA4001-.. <sup>*2</sup>	
	Ø 50 mm,	0... <sup>*2</sup> bar	G $\frac{1}{4}$	for G $\frac{1}{4}$ and G $\frac{1}{2}$	MA5002-.. <sup>*2</sup>	
	Ø 63 mm,	0... <sup>*2</sup> bar	G $\frac{1}{4}$	for G1	MA6302-.. <sup>*2</sup>	
mounting nut	made of plastic		for G $\frac{1}{8}$ and G $\frac{1}{4}$		M30x1,5K	
	made of aluminium		for G $\frac{1}{8}$ and G $\frac{1}{4}$		M30x1,5A	
	made of plastic		G $\frac{1}{2}$		M50x1,5K	
mounting bracket	made of steel		for G $\frac{1}{8}$ and G $\frac{1}{4}$		BW30-02	
			for G $\frac{1}{2}$		BW50-03	
			for G1		BW00-65	



\*1 at 8 bar supply pressure, 6 bar outlet pressure and 1 bar pressure drop  
<sup>\*2</sup>04 = 0...4 bar, 06 = 0...6 bar, 10 = 0...10 bar

