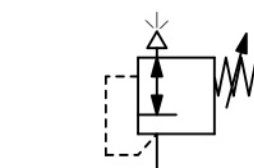


DB110 - Déverseur de pression, de précision

Description	Diaphragm back pressure regulators protect pneumatic devices against overpressure. If the pressure exceeds the setpoint, the pressure valve exhausts to the atmosphere until the pressure level is below the setpoint. It is advisable to select the pressure range as near as possible to the maximum setpoint.
Media	compressed air or non-corrosive gases
Recommendation	connection thread G $\frac{1}{2}$ for pressure range 0...35 / 140 / 280 mbar
Overpressure	max. 10 bar
Accuracy	response sensitivity <2 mbar
Adjustment	by handwheel with locknut
Gauge port	G $\frac{1}{4}$ on both sides of the body, screw plugs supplied
Mounting position	any
Temperature range	0 °C to 90 °C / 32 °F to 194 °F , for appropriately conditioned compressed air down to -40 °C / -40 °F
Material	Body: aluminium die-cast Elastomer: NBR/Buna-N, optionally FKM Inner valve: stainless steel and brass



G $\frac{1}{4}$ up to G $\frac{1}{2}$, 700 l/min
0...35/800 mbar

Dimensions			Relief capacity l/min*1	Over-pressure max. bar	Connection thread G	Adjustment range mbar	Order number
A	B	C					

Low back pressure regulator						overpressure max. 10 bar	DB110
67	180	25	700	10	G $\frac{1}{4}$	2 ... 35	DB110-020
						2 ... 140	DB110-02A
						2 ... 280	DB110-02B
						2 ... 400	DB110-02C
						2 ... 800	DB110-02D
67	180	25	700	10	G $\frac{1}{2}$	2 ... 35	DB110-040
						2 ... 140	DB110-04A
						2 ... 280	DB110-04B
						2 ... 400	DB110-04C
						2 ... 800	DB110-04D



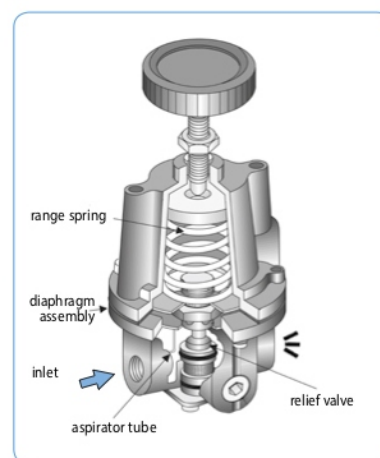
DB110

Special options, add the appropriate letter

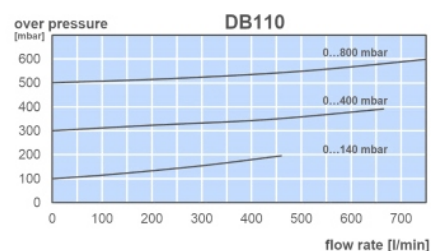
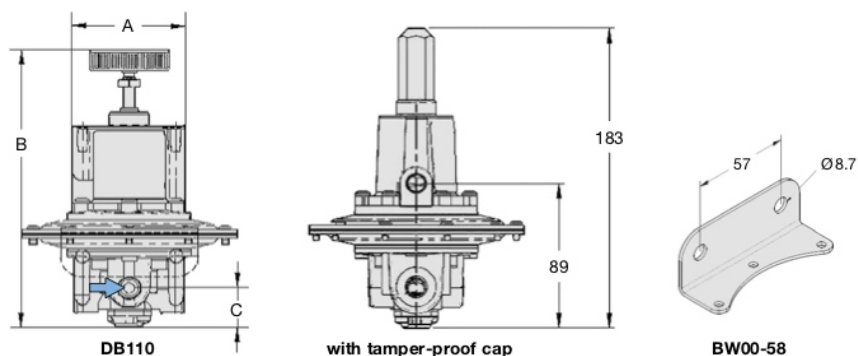
G $\frac{3}{8}$	connection thread	DB110-0.. 3
NPT	connection thread	DB110-0.. N
FKM elastomer		DB110-0.. V
tamper-proof cap	aluminium, adjustment by screwdriver, total height 183 mm	DB110-0.. T

Accessories, enclosed

pressure gauge	Ø 63 mm, 0...*2 mbar, G $\frac{1}{4}$, capsule type	MA6302-...*2
	Ø 63 mm, 0... 1 bar, G $\frac{1}{4}$, Bourdon tube	MA6302-01
connecting parts gauge	at NPT connection thread, adapter $\frac{1}{4}$ " NPT - G $\frac{1}{4}$ i	VP-0202N
mounting bracket	made of steel	BW00-58



functional principle



*1 at 200 mbar overpressure and open outlet

*2 B6 = 0...60 mbar, C2 = 0...160 mbar, C3 = 0...250 mbar, C4 = 0...400 mbar