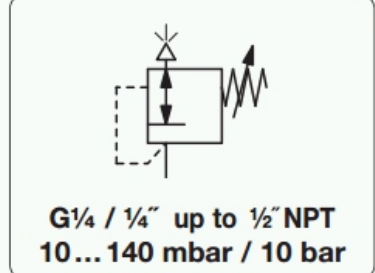


DB240 - Régulateur Déverseur de Pression, de Précision

DB 240 - Precision Back Pressure Regulator

Description	The back pressure regulator is a high-flow, high-precision pneumatic relief valve with adjustable setpoint. It provides protection against overpressure in the downstream section of pneumatic systems. A convoluted diaphragm provides the sensitivity for venting to the atmosphere in response to the slightest upstream change.
Media	compressed air or non-corrosive gases
Overpressure	max. 17 bar
Adjustment	by handwheel with locknut
Gauge port	G $\frac{1}{4}$ on both sides of the body, screw plugs supplied
Mounting position	any
Temperature range	0 °C to 70 °C / 32 °F to 158 °F, for appropriately conditioned compressed air down to -40 °C / -40 °F
Material	Body: aluminium die-cast Elastomer: NBR/Buna-N Inner valve: stainless steel and brass



Dimensions			Relief capacity l/min*1	Over-pressure max. bar	Connection thread G	Adjustment range bar	Order number
A	B	C					

Precisin back pressure regulator			overpressure max. 17 bar	DB240			
67	154	19	1100	17	G $\frac{1}{4}$	0.01 ... 0.14	DB240-020
						0.01 ... 1.0	DB240-02A
						0.01 ... 2.0	DB240-02B
						0.07 ... 4.0	DB240-02C
						0.14 ... 10	DB240-02D

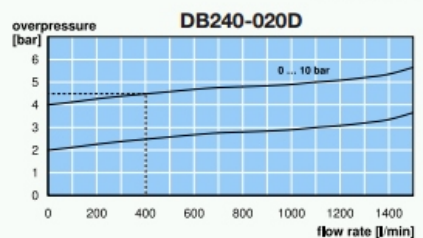
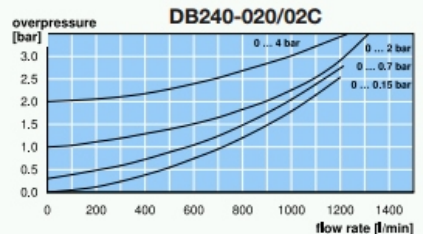
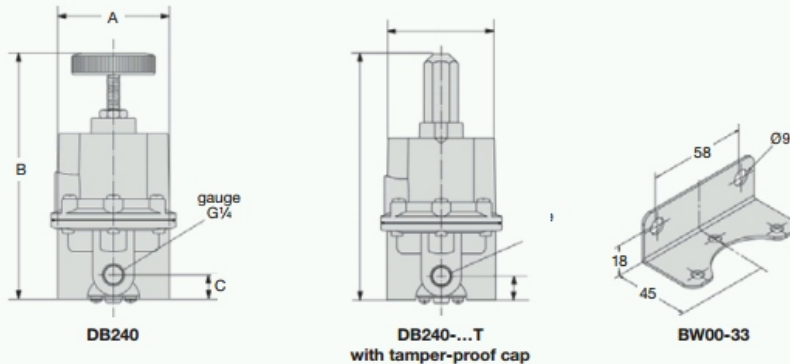
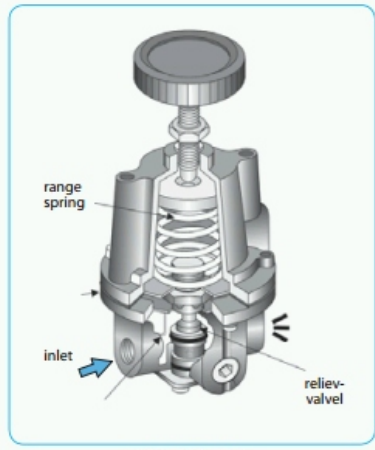


Special options, add the appropriate letter

$\frac{1}{4}$" NPT	connection thread	DB240-02 . N
$\frac{3}{8}$" NPT	connection thread	DB240-03 . N
$\frac{1}{2}$" NPT	connection thread, recommended for mbar range	DB240-04 . N
tamper-proof cap	aluminium, adjustment by screwdriver, total height 157 mm	DB240-0 . T

Accessories

pressure gauge	\varnothing 50 mm, 0...*2 bar, G $\frac{1}{4}$, Bourdon tube, from 1 bar on	MA5002-...*2
	\varnothing 63 mm, 0...160 mbar, G $\frac{1}{4}$, capsule type	MA6302-C2
mounting bracket	made of steel	BW00-33



*1 at 5 bar overpressure and open outlet
*2 01 = 0...1 bar, 02 = 0...2.5 bar, 06 = 0...6 bar, 10 = 0...10 bar, 16 = 0...16 bar