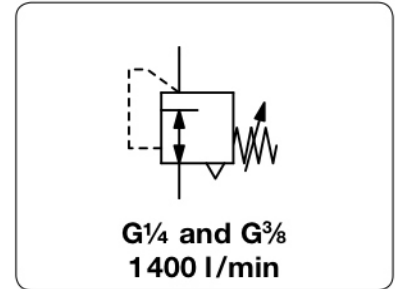


# R100 - Régulateur de pression de précision, grand débit et forte capacité de décompression, sans consommation

<b>Description</b>	Regulator provides precision regulation in high flow and high relief applications. A sensitive rolling diaphragm and balanced inner valve assure constant outlet pressure even with changing supply pressure and flow fluctuations.		
<b>Media</b>	compressed air or non-corrosive gases		
<b>Supply pressure</b>	max. 18 bar		
<b>Accuracy</b>	at supply pressure variation of 7 bar: < 7 mbar pressure deviation response sensitivity: < 2 mbar		
<b>Air consumption</b>	without constant bleed		
<b>Adjustment</b>	by handwheel with locknut		
<b>Relieving function</b>	relieving		
<b>Relief capacity</b>	200 l/min at 1.5 bar outlet and 0.35 bar overpressure above setpoint		
<b>Gauge port</b>	G $\frac{1}{4}$ on both sides of the body, screw plugs supplied		
<b>Temperature range</b>	0 °C to 80 °C / 32 °F to 194 °F, for appropriately conditioned compressed air down to -40 °C / -40 °F		
<b>Material</b>	Body: zinc die-cast	Inner valve: aluminium, brass and neoprene	Mounting position any Elastomer: NBR/Buna-N



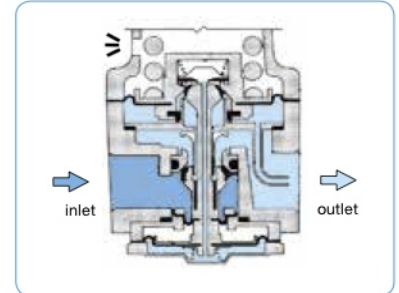
Dimensions			K <sub>v</sub> -value	Flow rate	Connection thread	Pressure range	Order number
A	B	C					
mm	mm	mm	(m <sup>3</sup> /h)	m <sup>3</sup> /h*1	l/min*1	G	bar

Precision pressure regulator							supply pressure max. 18 bar, relieving, without constant bleed	R100
54	129	25	0.73	78	1300	G $\frac{1}{4}$	0.03...0.7	R100-021
							0.03...2.0	R100-02A
							0.07...4.0	R100-02B
							0.14... 10	R100-02C
54	129	25	0.78	84	1400	G $\frac{3}{8}$	0.03...0.7	R100-031
							0.03...2.0	R100-03A
							0.07...4.0	R100-03B
							0.14... 10	R100-03C



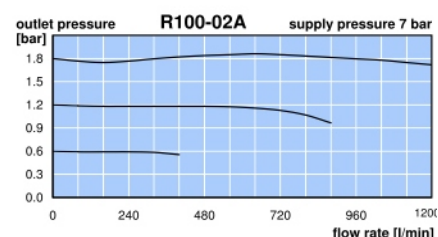
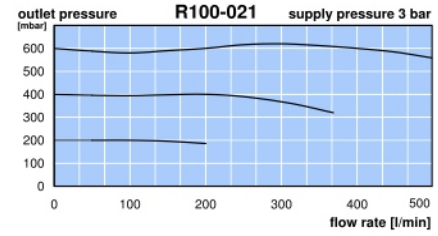
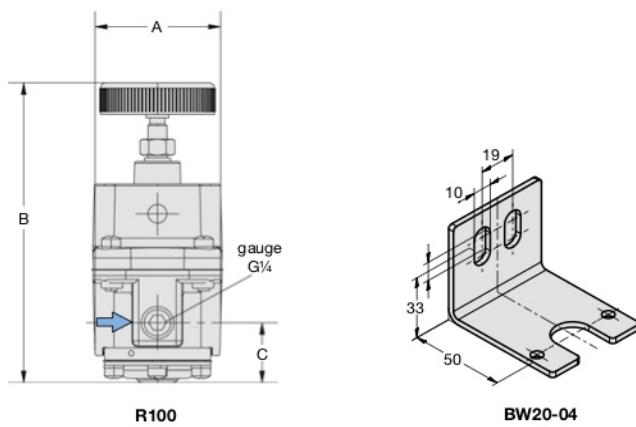
### Special options, add the appropriate letter

<b>NPT</b>	connection thread	R100-0. .N
<b>tamper-proof cap</b>	of aluminium, adjustment by screwdriver, total height 139 mm	R100-0. .T



### Accessories, enclosed

<b>pressure gauge</b>	Ø 50 mm, 0...*2 bar, G $\frac{1}{4}$	MA5002- ..*2
<b>mounting bracket</b>	made of steel	BW20-04



\*1 at 7 bar supply pressure and 1.4 bar outlet pressure  
\*2 01 = 0...1 bar, 02 = 0...2.5 bar, 04 = 0...4 bar, 10 = 0...10 bar

