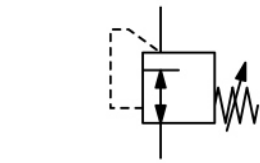


# RHB - Régulation haute pression, corps laiton, raccordement 1/4" NPT, pour air comprimé et gaz non corrosifs

<b>Description</b>	Diaphragm-operated high pressure regulator made of brass.		
<b>Media</b>	compressed air or non-corrosive gases		
<b>Supply pressure</b>	max. 380 bar		
<b>Adjustment</b>	by T-handle with locknut		
<b>Relieving function</b>	non-relieving		
<b>Gauge port</b>	1/4" NPT on both sides of the body, screw plugs supplied		
<b>Mounting position</b>	any		
<b>Temperature range</b>	0 °C to 106 °C / 32 °F to 223 °F, for appropriately conditioned compressed air down to -40 °C / -40 °F		
<b>Material</b>	Body: brass	O-rings: NBR/Buna-N	Valve seat: nylon, optionally PTFE
	Diaphragm: stainless steel 302		



1/4" NPT, P<sub>1</sub>: max. 380 bar  
0,3 ... 2/35 bar

Dimensions			K <sub>v</sub> -value (m <sup>3</sup> /h)	Flow rate		Connection thread NPT	Pressure range bar	Order number
A	B	C		m <sup>3</sup> /h*1	l/min*1			

High pressure regulator 380 bar								made of brass, with T-handle non-relieving, nylon seat, NBR/Buna-N	RHB
85	156	60	0.13	240	4000	1/4" NPT	0.3 ... 2	RHB-02A	
							0.3 ... 4	RHB-02B	
							0.3 ... 8	RHB-02C	
							0.3 ... 10	RHB-02D	
							0.3 ... 15	RHB-02E	
85	177	60					0.3 ... 35	RHB-02F	



RHB-02C

### Special options, add the appropriate letter

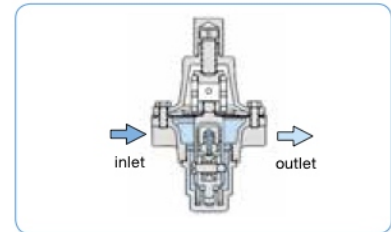
<b>nickel-plated</b>	outer surface	RHB-02 . X25
<b>tamper-proof cap</b>	made of brass, total height 150 mm or 172 mm	RHB-02 . T
<b>PTFE valve seat *2</b>	nickel plated surface	RHB-02 . X52



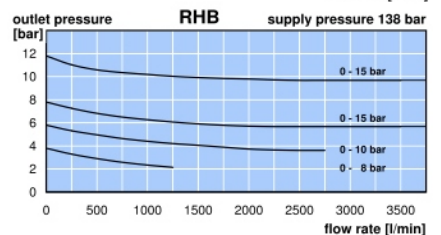
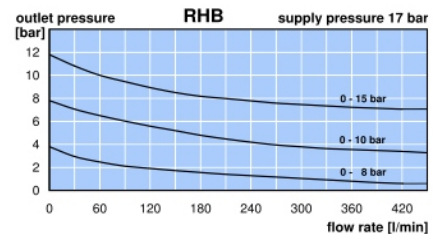
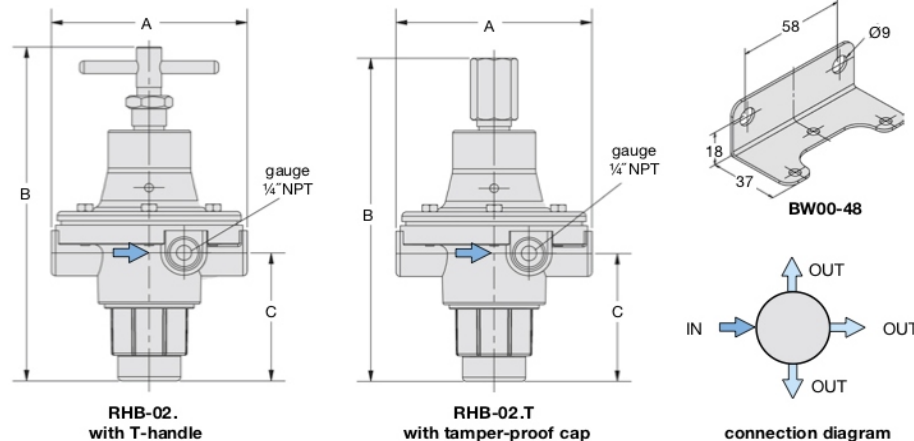
RHB-02DT

### Accessories, enclosed

<b>mounting bracket</b>	made of steel	BW00-48
-------------------------	---------------	---------



cross-section



\*1 P<sub>1</sub> = 138 bar, P<sub>2</sub> = 10 bar und Δp = 3 bar

\*2 1.5 ... 35 bar pressure range for RHB-02F

