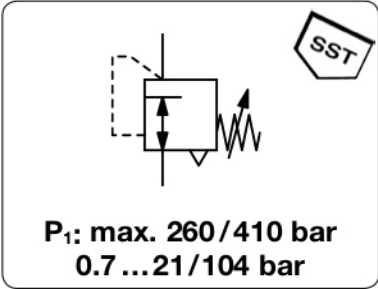


RH3 - Régulateur haute pression, corps laiton ou acier inoxydable, compatible gaz et liquides

| | | |
|---------------------------|--|---|
| Description | High pressure regulator with high flow and high reliability. Large piston sensor for high sensitivity and balanced stem design for constant downstream pressure. | |
| Media | compressed air, non-corrosive gases or liquids | |
| Supply pressure | max. 260 bar, optionally up to 345 bar or 410 bar | |
| Leakage rate | 1×10^{-4} mbar l/s He | |
| Adjustment | by black plastic knob | |
| Relieving function | relieving, optionally non-relieving | |
| Gauge port | none, optionally 1/4" NPT for inlet and outlet | |
| Mounting position | any | |
| Temperature range | -25 °C to 100 °C / -13 °F to 212 °F | |
| Material | Body: brass, optionally stainless steel | O-rings: NBR/Buna-N and FKM |
| | Main valve seat: CTFE, PTFE at RH3-04B | Relieving valve: CTFE, PTFE at RH3-04B/-04C |
| | Inner valve: PTFE and brass, optionally stainless steel | |



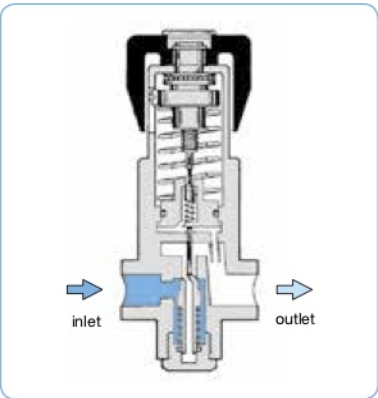
| Dimensions | | | K _v -value (m ³ /h) | Flow rate | | Connection thread NPT | Pressure range bar | Order number |
|------------|---|---|--|---------------------|---------|--------------------------|-----------------------|--------------|
| A | B | C | | m ³ /h*1 | l/min*1 | | | |

| High pressure regulator 260 bar, 1/2" NPT | | | | | | | relieving, brass | RH3 |
|---|-----|----|-----|-----|------|----------|------------------|----------------|
| 76 | 203 | 45 | 1.7 | 420 | 7000 | 1/2" NPT | 0.7 ... 21 | RH3-04B |
| | | | | | | | 1.0 ... 42 | RH3-04C |
| | | | | | | | 1.4 ... 70 | RH3-04D |
| | | | | | | | 3.4 ... 104 | RH3-04E |



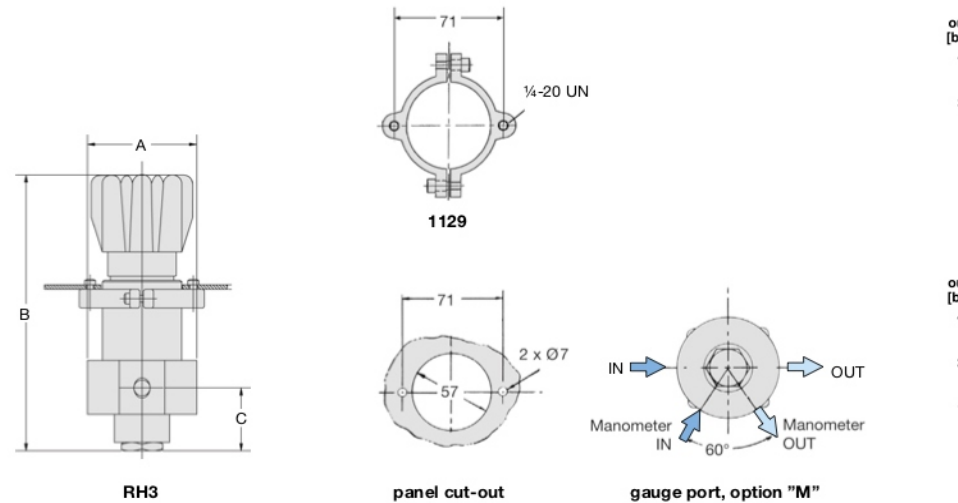
Special options, add the appropriate letter

| | | |
|--------------------------|---|------------------------|
| 3/4" NPT | connection thread | RH3-0 .6 |
| non-relieving | without relieving function | RH3-0 .K |
| stainless steel, 310 bar | body: stainless steel 316 | RH3-0 .S1 |
| stainless steel, 410 bar | body: stainless steel 316, add. pre. range 3.4... 172 bar (F) | RH3-0 .S2 |
| brass, 345 bar | body: brass, add. pre. range 3.4... 172 bar (F) | RH3-0 .U |
| gauge port | 1/4" NPT for inlet and outlet | RH3-0 .M |
| brass pressure gauge | inlet side HM | outlet side RH3-0 .MGM |
| SST pressure gauge | inlet side H | outlet side RH3-0 .MG |



Accessories, enclosed

| | |
|---|-------------|
| set of mounting brackets for panel mounting | 1129 |
|---|-------------|



*1 at 210 bar supply pressure and 40 bar outlet pressure

