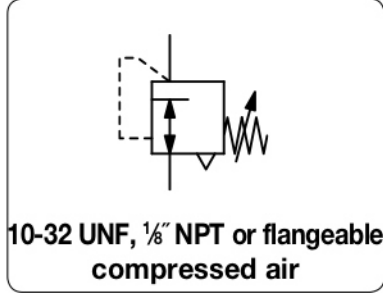


R800 - R900 - régulateur de pression, miniature, 10-32", NPT, corps en technopolymère

Air et gaz uniquement, montage en applique possible, option oxygène possible

Description	Miniature precision regulator with high supply sensitivity. small dimension, light weight. Hysteresis-free adjustment up to 20 turns.	
Media	compressed air or non-corrosive gases	
Supply pressure	max. 10 bar	
Accuracy	R800 / R900 / R901	R810 / R910 / R911
	< 7 mbar pressure deviation	< 20 mbar pressure deviation
	< 7 mbar pressure deviation	< 17 mbar pressure deviation
	< 2.5 mbar	< 5 mbar
Air consumption	0.35 l/min at 7 bar supply	0 l/min, flow > 20 ml/min recommended
Relieving function	relieving, optionally non-relieving	
Relief capacity	15 l/min at 0.35 bar outlet above set-point	
Temperature range	4 °C to 66 °C / 40 °F to 150 °F	
Material	Body: polysulfones Elastomer: NBR/Buna-N Inner valve: stainless steel and acetal	
	Gauge port	not available



Dimensions			Pressure adjustment	Flow rate	Pressure range	Order number for manifold with o-ring	Order number 10-32 UNF standard
A	B	C	by	l/min*1	bar		
mm	mm	mm					

Precision pressure regulator						supply pressure max. 10 bar, relieving, with constant bleed		R900
29	78	8	knob	65	0.03 ... 0.24	R900-3,5MWK	R900-3,5WK	R900-3,5WK
					0.03 ... 0.7	R900-10MWK	R900-10WK	R900-10WK
					0.03 ... 2.1	R900-30MWK	R900-30WK	R900-30WK
					0.03 ... 4.2	R900-60MWK	R900-60WK	R900-60WK
					0.03 ... 6.2	R900-90MWK	R900-90WK	R900-90WK
29	60	8	spindle	65	0.03 ... 0.24	R900-3,5WOS	R900-3,5WOS	R900-3,5WOS
					0.03 ... 0.7	R900-10WOS	R900-10WOS	R900-10WOS
					0.03 ... 2.1	R900-30WOS	R900-30WOS	R900-30WOS
					0.03 ... 4.2	R900-60WOS	R900-60WOS	R900-60WOS
					0.03 ... 6.2	R900-90WOS	R900-90WOS	R900-90WOS
29	43	8	preset	65	to be indicated	R901-..M	R901-..	R901-..



Special options, add the appropriate letter

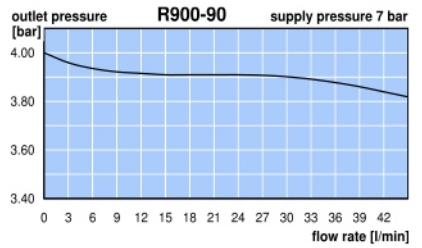
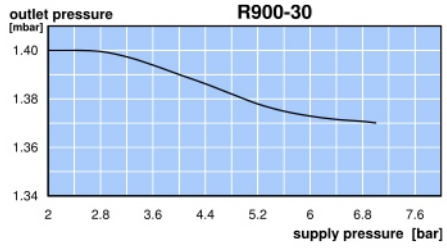
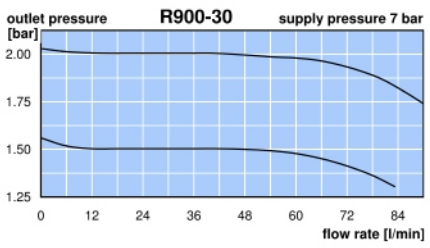
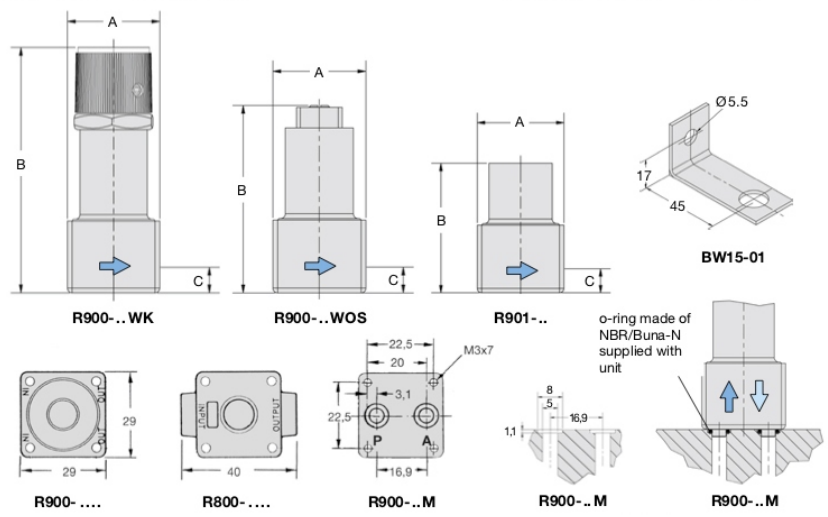
1/8" NPT connection thread, width 40 mm
 non-relieving without constant bleed
 for oxygen specially cleaned

R8...W...
 R.1.....
 R.....15



Accessories, enclosed

mounting bracket made of steel for R800 and R900 BW15-01



*1 at 7 bar supply pressure and max. outlet pressure

