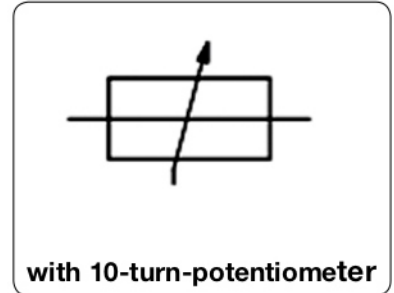


# PPB - Commande manuelle électrique par potentiomètre 10 tours, pour commande 0-10V ou 4/20mA

<b>Description</b>	The series line of potentiometers are designed for use as a command signal for control valves. A 10 volt reference is used to provide excitation to the potentiometer. An op-amp measures the output on the wiper of the potentiometer and provides buffering to eliminate external components from affecting the linearity of the potentiometer. A three wire cord is provided and is attached to the pc board to make necessary power signal and common connections		
<b>Field of application</b>	0-10 V version PPB-U is compatible with all proportional pressure regulators. 4-20 mA version PPB-I is compatible with all valves of Series PQ and PM. For all other valves, e.g Series PP, PR, PRE, a setpoint of 4.1 ... 18.5 mA is generated.		
<b>Measuring range</b>	0 ... 999	<b>Supply voltage</b>	15 - 24 V DC
<b>Current consumption</b>	max. 30 mA	<b>Linearity/Hysteresis</b>	± 0.25% FS
<b>Mounting position</b>	any	<b>Temperature range</b>	0 °C to 70 °C / 32 °F to 158 °F



Dimensions			Output signal V / mA	Order number
F	H	G		
mm	mm	mm		

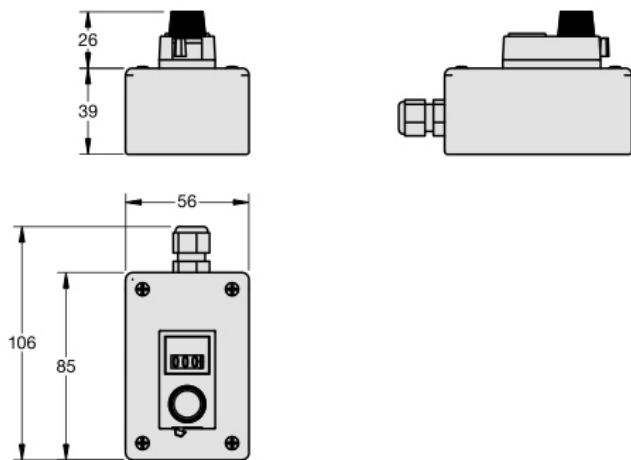
Setpoint Potentiometer			supply voltage 15 - 24 V DC	PPB
85	55	40	0-10 V	PPB-U
85	55	40	4-20 mA	PPB-I



PPB-U



PPB-I



PPB

Pin	Description	3-pin cable
1	voltage supply 24V DC	black
2	analogue setpoint	white
3	supply earth	green

connecting plan