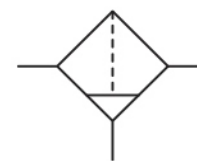


F20 - Filtre modulaire pour ligne d'air comprimé

Description	Compressed air filter of modular design with exchangeable inserts. Can be interlocked with regulator or lubricator without need for double nipples. Each "maxi" device may be taken from a fixed line in seconds by simply removing the mounting bolts.
Filter element	40 µm, optionally 5 µm, made of polypropylene
Bowl	metal version with sight glass
Drainage	manual drain as standard, optionally automatic or semiautomatic drain, for max. 12 bar
Operating pressure	max. 17 bar
Temperature range	0 °C to 70 °C / 32 °F to 158 °F 0 °C to 50 °C / 32 °F to 122 °F for automatic or semiautomatic drain version
Material	Body: zinc die-cast Sight glass: polyurethane Bowl: zinc die-cast Elastomer: NBR/Buna-N



G $\frac{1}{4}$ up to G1

Dimensions			Bowl	Flow	Supply	Filter	Connection	Order
A	B	C	Design	Capacity	rate	element	thread	number
mm	mm	mm	made of / with	l	m ³ /h*1	µm	G	

"Maxi" compressed air filter

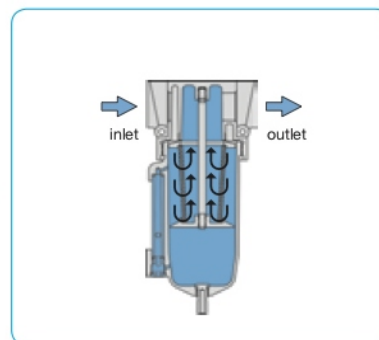
			with manual drain				supply pressure max. 17 bar		F20	
89	191	171	metal/sight glass	0.3	132	2200	17	40	G $\frac{1}{4}$	F20-02WJ
					90	1500	5		F20-02WG	
					186	3100	40	G $\frac{3}{8}$	F20-03WJ	
					138	2300	5		F20-03WG	
					288	4800	40	G $\frac{1}{2}$	F20-04WJ	
					216	3600	5		F20-04WG	
111	191	171	metal/sight glass	0.3	408	6800	17	40	G $\frac{3}{8}$	F20-06WJ
					294	4900	5		F20-06WG	
					420	7000	40	G1	F20-08WJ	
					300	5000	5		F20-08WG	



F20

Special options, add the appropriate letter

NPT	connection thread	F20-0.W.N
semiautomatic drain	RK500SY, max. 12 bar	F20-0.W.M
automatic drain	SA605MD, max. 12 bar	F20-0.W.R



cross-section

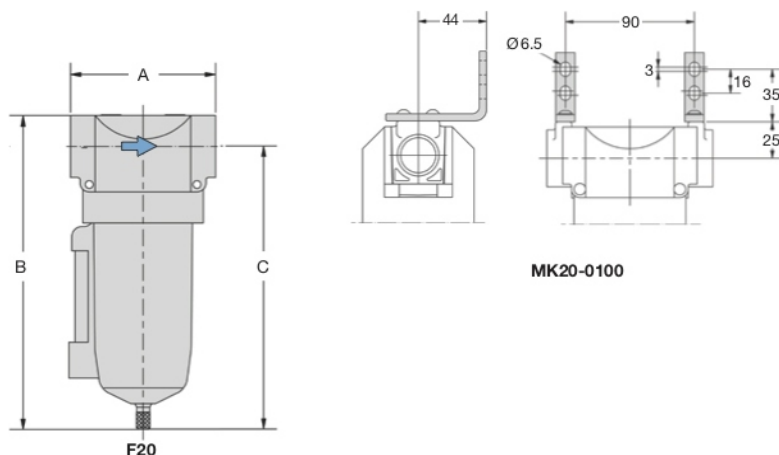
Accessories, enclosed

mounting bracket set	made of steel	MK20-0100
-----------------------------	---------------	------------------



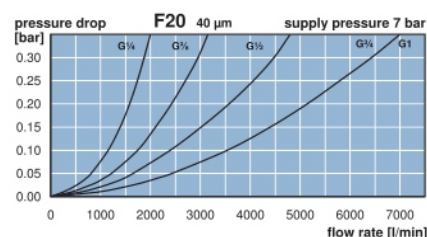
RK500SY

SA605MD



MK20-0100

F20



*1 at 7 bar supply pressure and 0.33 bar pressure drop