


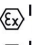




## Distributeurs pneumatiques ATEX pour ambiances explosibles EEx e mb - Corps INOX 316L - Basse température



Material: Stainless steel, 316L   
 Zone: 1, 2, 21, 22  
 Temperature range: -40°C ... +50°C   
 Ignition protection type: Ex e mb (encapsulation with junction box)  
 Temperature class: T6

Marking on valve   II 2 G Ex h IIC T6 Gb  
 -40°C ≤ Ta ≤ +50°C  
  II 2 D Ex h IIIIC T80°C  
 Db -40°C ≤ Ta ≤ +50°C

The following solenoid valves are available:

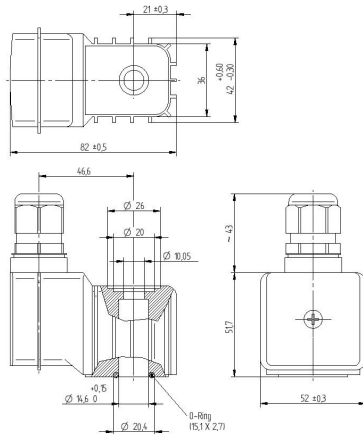
Type	Function	Port size	Installation
MH 310 701 VES TT Ex e mb	3/2-way, single sol.	G 1/4" - 1/4" NPT	in-line
MOH 310 701 VES TT Ex e mb	3/2-way, n.o. single sol.	G 1/4" - 1/4" NPT	in-line
MH 510 701 VES TT Ex e mb	5/2-way, single sol.	G 1/4" - 1/4" NPT	in-line
MH 520 701 VES TT Ex e mb	5/2-way, double sol.	G 1/4" - 1/4" NPT	in-line
MH 53_701 VES TT Ex e mb	5/3-way, different version	G 1/4" - 1/4" NPT	in-line

Valves with interface according to NAMUR-standard			
Type	Function	Port size	Installation
MNH 350 701 VES TT Ex e mb	3/2-way & 5/2-way	G 1/4" - 1/4" NPT	1/4" NAMUR
MNH 310 701 VES TT Ex e mb	3/2-way, single sol.	G 1/4" - 1/4" NPT	1/4" NAMUR
MNH 310 711 VES TT Ex e mb	3/2-way, single sol.	G 1/4"	1/4" NAMUR
MNH 510 701 VES TT Ex e mb	5/2-way, single sol.	G 1/4" - 1/4" NPT	1/4" NAMUR
MNH 510 711 VES TT Ex e mb	5/2-way, single sol.	G 1/4"	1/4" NAMUR
MNH 520 701 VES TT Ex e mb	5/2-way, double sol.	G 1/4" - 1/4" NPT	1/4" NAMUR

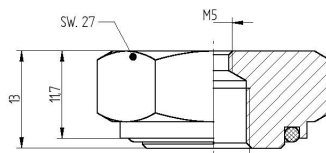
Delivery contains valve with the appropriate operator system, coil, manual and declaration of conformity.  
 1/2" stainless steel valves in standard temperature range on request.

## MA 52 EEx e mb IIC T6

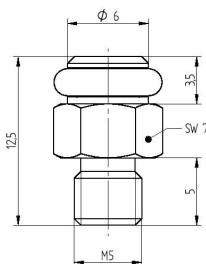
When this solenoid system is used in combination with "ATEX certified" mechanical components conforming EN 13463-1:2001 and PrEN 13463-5:2000, the entire valve can be used in explosive hazardous environment zone 1, 2, 21 and 22.



**MA 52 EEx e mb IIC T6**



**M G1/8 M5**



**ESR M5**



Details of junction box

ATEX approved encapsulated coil with junction box for gas and dust explosion-hazardous environment.

Voltage tolerance: - 10...+ 10%  
Relative duty cycle: 100 %  
Temperature range: -40°C...+50°C

Insulation class of insulating Materials according to DIN VDE 0580: F

Protection according to EN 60529: IP 65  
(IP 67 with nut type M G1/8 M5 in combination with exhaust protection fitting type ESR M5)

Moulding material: Thermoplasticpolyester

Cable Gland: M20 x 1,5  
for cable diameters 6 – 13 mm

Please note:  
Same coil for DC and AC.

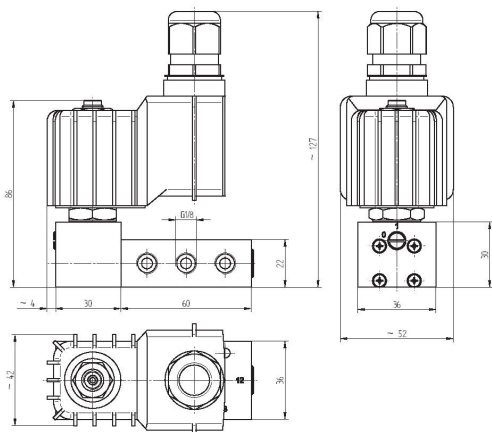
Marking on coil:  II 2G Ex e mb IIC T6 Gb  
II 2D Ex tb mb IIIC T80°C Db

The ATEX approval is only valid as long as the associated components are used.

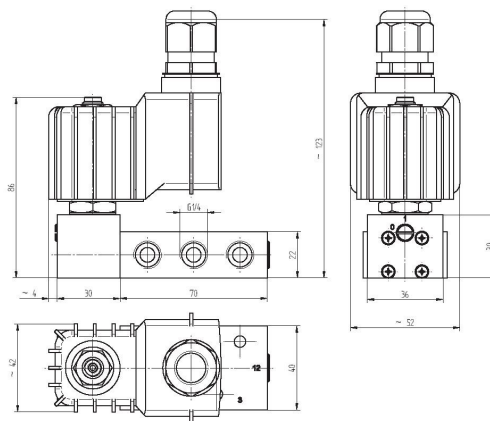
Important installation instructions:  
Connecting cables and connecting lines shall be suitable for permanent application in a temperature range of -40 °C up to +105 °C and must be laid fixed to the device. The user shall provide for a strain relief. When using silicone or silicone-containing cables for connection or cables that are not resistant to scoring, these shall be protected against mechanical damage. For further instructions, please ask us for the operating manual.

Type	Operating press.	Power cons.	Temperature class
MA 52 EEx e mb IIC T6 24	max. 10 bar	4,8 Watt	T6 (85° C)
MA 52 EEx e mb IIC T6 110	max. 10 bar	4,8 Watt	T6 (85° C)
MA 52 EEx e mb IIC T6 230	max. 10 bar	4,8 Watt	T6 (85° C)

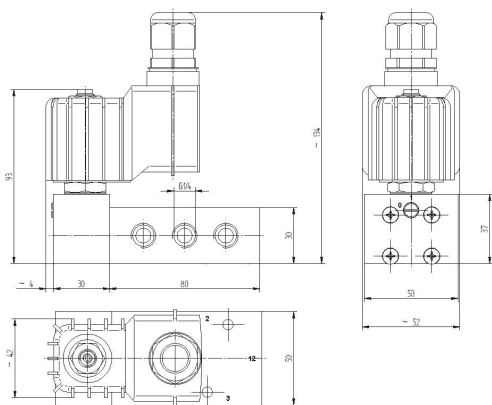
**Bobines EEx e mb - Spécifications - Largeur 52 mm - Sur connecteur**  
**Exemples d'implantations sur distributeurs**



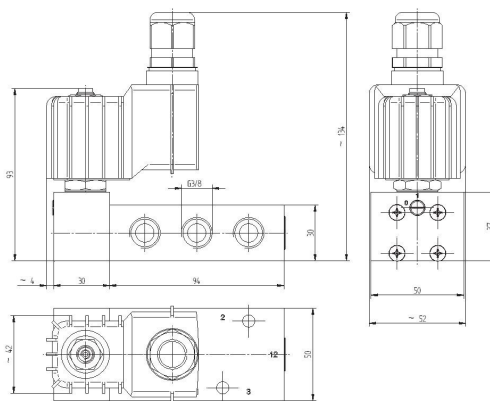
MH 510 501 Ex e mb IIC T6



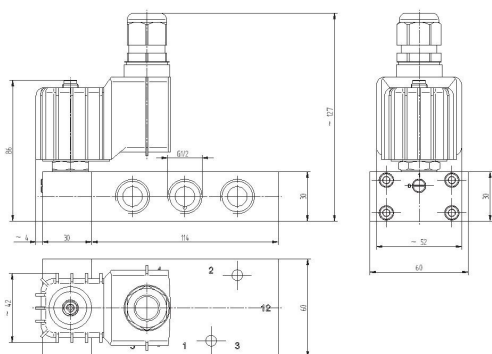
MH 510 701 Ex e mb IIC T6 /  
 MNH 510 701 EX e mb IIC T6



MH 510 801 Ex e mb IIC T6



MH 510 101 Ex e mb IIC T6



MH 510 121 Ex e mb IIC T6 /  
 MNH 510 121 Ex e mb IIC T6