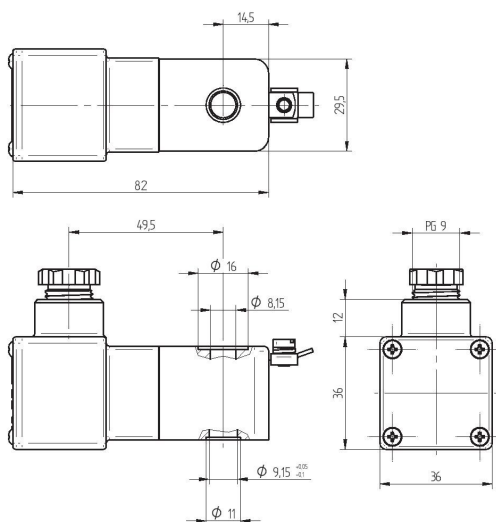


MA 36 EEx dm IIC T5



When this solenoid system is used in combination with "ATEX certified" mechanical components conforming EN 13463-1:2001 and PrEN 13463-5:2000, the entire valve can be used in explosive hazardous environment zone 1, 2, 21 and 22.



MA 36 EEx dm IIC T5_ _



ATEX approved encapsulated coil with flameproof junction box for gas and dust explosion-hazardous environment.

Voltages:	12VDC, 24VDC, 24VAC, 110VAC, 230VAC
Voltage tolerance:	- 10...+ 10%
Relative duty cycle:	100 %
Temperature range:	-20°C...+50°C
Ignition protection type:	Coil encapsulated, junction box flameproof
Protection with connector according to EN 60529:	IP 66
Moulding material:	Thermoplasticpolyester
Coil rating according to DIN VDE 0580:	Class F
Cable Gland:	PG 9 DIN 40-430 for cable diameters 6 – 8 mm
Marking on coil:	  II 2G Ex db mb IIC T5 Gb II 2D Ex tb IIIC T95°C IP66 Db

As the coil is 36 mm wide, a spacer plate called "ZPN 8" has to be used, in case of combination with our NAMUR-valve series 700. If used with NAMUR-valve series 121 a spacer plate called "ZPN 6-5" has to be used. You can find both plates on page 2. 10. 12.

The ATEX approval is only valid as long as the associated components are used.

Type	Operating press.	Power cons.	Temperature class
MA 36 EEx dm IIC T5 12DC	max. 10 bar	3,0 Watt	T5 (100°C)
MA 36 EEx dm IIC T5 24DC	max. 10 bar	3,0 Watt	T5 (100°C)
MA 36 EEx dm IIC T5 24AC	max. 10 bar	4,8 VA	T5 (100°C)
MA 36 EEx dm IIC T5 110AC	max. 10 bar	4,8 VA	T5 (100°C)
MA 36 EEx dm IIC T5 230AC	max. 10 bar	4,8 VA	T5 (100°C)