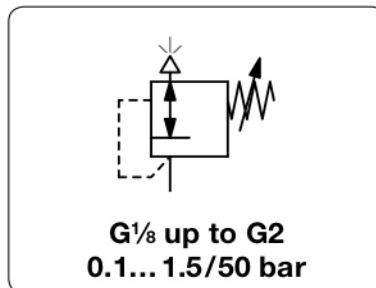


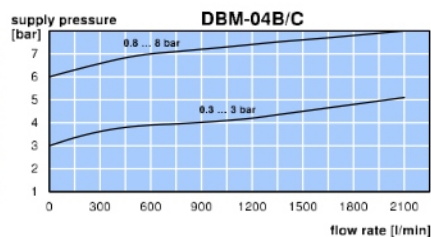
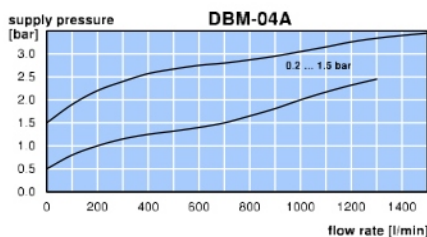
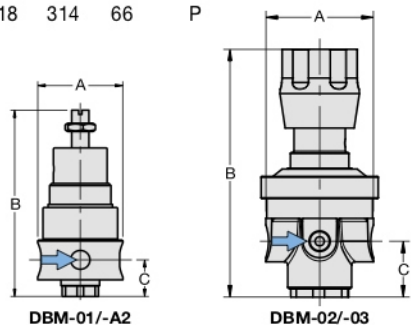
DBM - Régulateur de pression inverse, pour gaz et liquides

Description	Back pressure regulators protect pneumatic devices against overpressure. If the pressure exceeds the setpoint, the pressure valve exhausts to the atmosphere until the pressure level is below the setpoint. It is advisable to select the pressure range as near as possible to the maximum setpoint.		
Media	compressed air, non-corrosive gases or liquids	Overpressure	see chart, max. 65 bar
Adjustment	by spindle with locknut for DBM-01	by black plastic knob with snap-lock	for DBM-02
Gauge port	by T-handle with locknut for DBM-04/-08	by hexagonal spindle (spanner size 24 mm) with locknut for DBM-12/-16	
Temperature range	G $\frac{1}{4}$ on both sides of the body, from DBC-02 on G $\frac{1}{4}$ at DBM-01, screw plugs supplied 0 °C to 80 °C / 32 °F to 176 °F for FKM or EPDM 0 °C to 130 °C / 32 °F to 266 °F high temperature version, for appropriately conditioned compressed air down to -20 °C / -4 °F, or low temperature version down to -40 °C / -40 °F		
Mounting position	any		
Material	Body: brass	O-rings: FKM, optionally EPDM	Inner valve: brass
	Diaphragm: NBR/Buna-N with PTFE coating		



Dimensions			Regul. system	Relief capacity	Over-pressure	Connection thread	Adjustment range	Order number
A	B	C	D: diaphragm	l/min*1	max. bar	G	bar	

Brass back pressure regulator						overpressure max. 30/65 bar	DBM	
40	82	10	D	400	30	G $\frac{1}{8}$	0.2...1.5 0.3...3.0 0.8...8.0 1.5... 15	DBM-01A DBM-01B DBM-01D DBM-01E
40	82	10	D	400	30	G $\frac{1}{4}$	0.2...1.5 0.3...3.0 0.8...8.0 1.5... 15	DBM-A2A DBM-A2B DBM-A2D DBM-A2E
63	140	34	D	800	30	G $\frac{1}{4}$	0.2...1.5 0.3...3.0 0.8...8.0 1.5... 15	DBM-02A DBM-02B DBM-02D DBM-02E
63	141	34	P		65		3.0... 30 5.0... 50	DBM-02F DBM-02G
63	156	34						
63	140	34	D	800	30	G $\frac{3}{8}$	0.2...1.5 0.3...3.0 0.8...8.0 1.5... 15	DBM-03A DBM-03B DBM-03D DBM-03E
63	141	34	P		65		3.0... 30 5.0... 50	DBM-03F DBM-03G
63	156	34						
78	161	38	D	2500	30	G $\frac{1}{2}$	0.2...1.5 0.3...3.0 0.8...8.0 1.5... 15	DBM-04A DBM-04B DBM-04D DBM-04E
78	157	38	P		65		3.0... 30 5.0... 50	DBM-04F DBM-04G
118	289	66	D	8000	30	G $\frac{3}{4}$	0.2...1.5 0.3...3.0 0.8...8.0 1.5... 15	DBM-06A DBM-06B DBM-06D DBM-06E
118	314	66	P		65		3.0... 30 5.0... 50	DBM-06F DBM-06G
118	289	66	D	8000	30	G1	0.2...1.5 0.3...3.0 0.8...8.0 1.5... 15	DBM-08A DBM-08B DBM-08D DBM-08E
118	314	66	P		65		3.0... 30 5.0... 50	DBM-08F DBM-08G



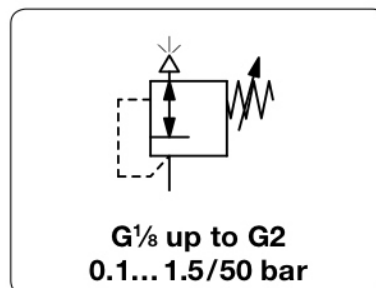
*1 at 7 bar overpressure and open outlet

*2 02 = 0...2.5 bar, 04 = 0...4 bar, 06 = 0...6 bar, 10 = 0...10 bar, 16 = 0...16 bar, 25 = 0...25 bar, 60 = 0...60 bar



DBM - Régulateur de pression inverse, pour gaz et liquides

Description	Back pressure regulators protect pneumatic devices against overpressure. If the pressure exceeds the setpoint, the pressure valve exhausts to the atmosphere until the pressure level is below the setpoint. It is advisable to select the pressure range as near as possible to the maximum setpoint.		
Media	compressed air, non-corrosive gases or liquids		
Adjustment	by spindle with locknut for DBM-01	by black plastic knob with snap-lock for DBM-02	Overpressure see chart, max. 65 bar
Gauge port	by T-handle with locknut for DBM-04/-08	by hexagonal spindle (spanner size 24 mm) with locknut for DBM-12/-16	
Temperature range	G $\frac{1}{4}$ on both sides of the body, from DBC-02 on G $\frac{1}{2}$ at DBM-01, screw plugs supplied 0 °C to 80 °C / 32 °F to 176 °F for FKM or EPDM 0 °C to 130 °C / 32 °F to 266 °F high temperature version, for appropriately conditioned compressed air down to -20 °C / -4 °F, or low temperature version down to -40 °C / -40 °F		
Mounting position	any		
Material	Body: brass	O-rings: FKM, optionally EPDM	Inner valve: brass
	Diaphragm: NBR/Buna-N with PTFE coating		



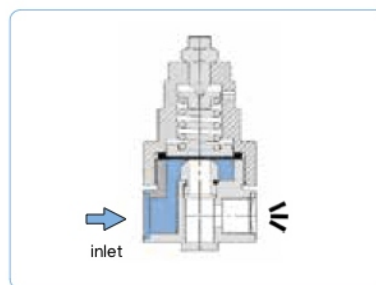
Dimensions	Regul. system	Relief	Over-	Connection	Adjustment	Order
A B C	D: diaphragm	capacity	pressure	thread	range	number
mm mm mm	P: piston	l/min*1	max. bar	G	bar	

Brass back pressure regulator			overpressure max. 30/65 bar			DBM		
180	385	128	D	25000	30	G $\frac{1}{2}$	0.2... 1.5 0.3... 3.0 0.8... 8.0 1.5... 15	DBM-12A DBM-12B DBM-12D DBM-12E
180	400	128	P		65		3.0... 30 5.0... 50	DBM-12F DBM-12G
180	385	128	D	25000	30	G2	0.2... 1.5 0.3... 3.0 0.8... 8.0 1.5... 15	DBM-16A DBM-16B DBM-16D DBM-16E
180	400	128	P		65		3.0... 30 5.0... 50	DBM-16F DBM-16G



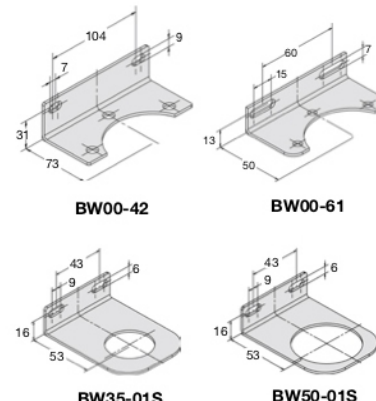
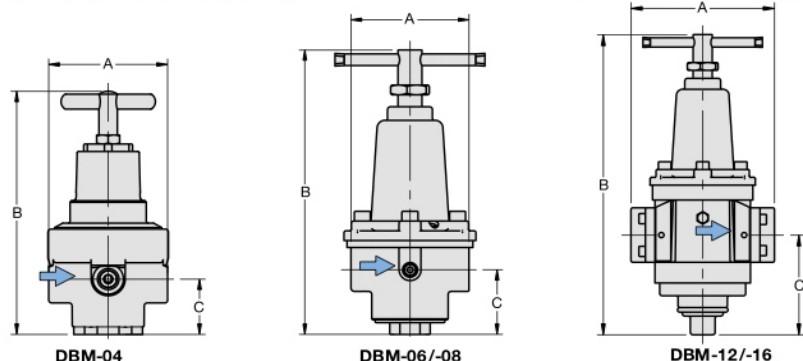
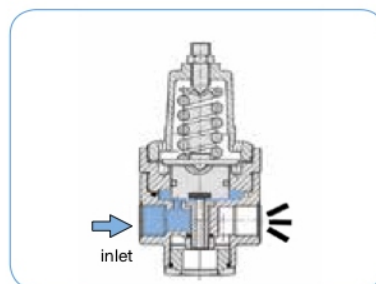
Special options, add the appropriate letter

NPT	connection thread	from G $\frac{1}{4}$ (02)	DBM-... N
down to -40 °C/ -40 °F	low temperature version		DBM-... X51
up to 130 °C/ 266 °F	high temperature version	up to DBM-04	DBM-0... X54
EPDM o-ring	PTFE diaphragm		DBM-... E
T-handle	instead of knob	DBM-02 only	DBM-02... T
flange connection	see chapter for stainless steel devices / flanges		DBM-... F.
nitrogen N $_2$: 07	carbon dioxide CO $_2$: 03	argon Ar: DBM-... 05	
helium He: 09	hydrogen H $_2$: 11	methane CH $_4$: DBM-... 13	
oxygen O $_2$: 15	propane C $_3$ H $_8$: 16	nitrous oxide N $_2$ O: DBM-... 17	
		water H $_2$ O: DBM-... W	



Accessories, enclosed

pressure gauge	Ø 50 mm, 0...*2 bar, G $\frac{1}{4}$	for G $\frac{1}{4}$ and G $\frac{1}{2}$	MA5002-...*2
	Ø 63 mm, 0...*2 bar, G $\frac{1}{4}$	for G $\frac{3}{4}$ to G2	MA6302-...*2
	Ø 50 / Ø 63 mm, 0...25 bar, G $\frac{1}{4}$	für G $\frac{1}{4}$ bis G2	MA...02-25
	Ø 50 / Ø 63 mm, 0...60 bar, G $\frac{1}{4}$	für G $\frac{1}{4}$ bis G2	MA...02-60
mounting bracket	made of stainless steel	for G $\frac{1}{4}$ and G $\frac{3}{8}$	BW35-01S
mounting nut	made of stainless steel	for G $\frac{1}{4}$ and G $\frac{3}{8}$	M35x1,5S
mounting bracket	made of stainless steel	for G $\frac{1}{2}$	BW50-01S
mounting nut	made of stainless steel	for G $\frac{1}{2}$	M50x1,5S
mounting bracket	made of steel	for G $\frac{3}{4}$ and G1	BW00-42
set of mount. brackets	made of steel	for G $\frac{1}{2}$ and G2	BW00-61



*1 at 7 bar overpressure and open outlet
*2 02 = 0...2.5 bar, 04 = 0...4 bar, 06 = 0...6 bar, 10 = 0...10 bar, 16 = 0...16 bar, 25 = 0...25 bar 60 = 0...60 bar

