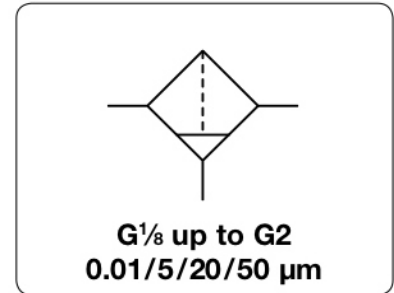


# FD - Filtre économique pour air comprimé, coalescent ou à cartouche, à purge semi-automatique, manuelle ou automatique

<b>Description</b>	Good value zinc die-cast regulator of solid design.
<b>Filter element</b>	0.01 µm coalescing filter, 5 µm, 20 µm und 50 µm
<b>Filtration efficiency</b>	coalescing filter: 99.99% based on 0.01 µm particle size
<b>Bowl</b>	metal version with and without sight glass
<b>Drainage</b>	semiautomatic drain as standard, for max. 16 bar optionally manual drain, for max. 30 bar or automatic drain, for max. 16 bar
<b>Operating pressure</b>	max. 16 bar for metal bowl with sight glass max. 30 bar for metal bowl without sight glass
<b>Temperature range</b>	-10 °C to 50 °C / 14 °F to 122 °F for metal bowl with sight glass (-01 bis -04 / -12 / -16) -20 °C to 60 °C / -4 °F to 140 °F for metal bowl with sight glass (-06 / -1A) -30 °C to 80 °C / -22 °F to 176 °F for metal bowl without sight glass
<b>Material</b>	Body: zinc die-cast at sizes G <sup>1</sup> / <sub>8</sub> and G <sup>1</sup> / <sub>4</sub> , aluminium at sizes G <sup>3</sup> / <sub>8</sub> to G2 Bowl: zinc die-cast Elastomer: NBR/Buna-N

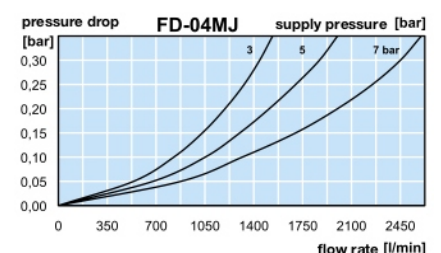
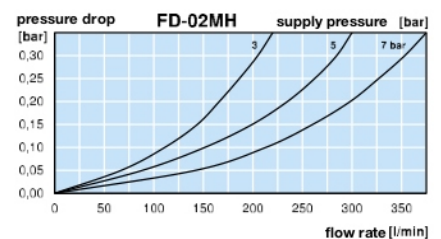
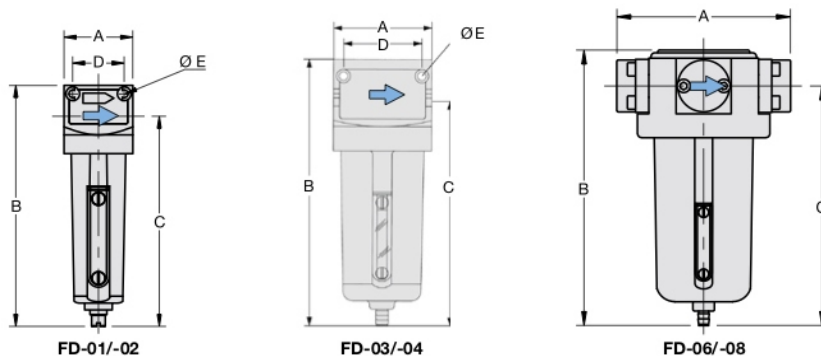


Dimensions			Bowl	Flow	Supply	Filter	Connection	Order
A	B	C	Design	Capacity	rate	element	thread	number
mm	mm	mm	made of/with	l	m <sup>3</sup> /h*1	µm	G	

Compressed air filter series "D"								with semiautomatic drain, 99.99% at 0.01 µm	FD				
40	146	128	metal/sight glass	0.05	21	350	16	50	G <sup>1</sup> / <sub>8</sub>	FD-01MJ			
					16	270					16	5	FD-01MG
					4	70							
40	146	128	metal/sight glass	0.05	24	400	16	50	G <sup>1</sup> / <sub>4</sub>	FD-02MJ			
					18	300					16	5	FD-02MG
					4	70							
64	176	148	metal/sight glass	0.18	144	2 400	16	50	G <sup>3</sup> / <sub>8</sub>	FD-03MJ			
					108	1 800					16	5	FD-03MG
					27	450							
64	176	148	metal/sight glass	0.18	156	2 600	16	50	G <sup>1</sup> / <sub>2</sub>	FD-04MJ			
					120	2 000					16	5	FD-04MG
					30	500							
130	206	179	metal/sight glass	0.50	420	7 000	16	50	G <sup>3</sup> / <sub>4</sub>	FD-06MJ			
					318	5 300					16	5	FD-06MG
					84	1 400							
130	206	179	metal/sight glass	0.50	510	8 500	16	50	G1	FD-08MJ			
					384	6 400					16	5	FD-08MG
					102	1 700							



Type	D	Ø E
FD-01/02	30	4.5
FD-03/04	51	5.5



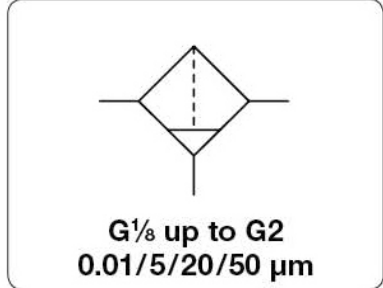
\*1 at 7 bar operating pressure and 0.33 bar pressure drop



FD

FD

<b>Description</b>	Good value zinc die-cast regulator of solid design.
<b>Filter element</b>	0.01 µm coalescing filter, 5 µm , 20 µm und 50 µm
<b>Filtration efficiency</b>	coalescing filter: 99.99% based on 0.01 µm particle size
<b>Bowl</b>	metal version with and without sight glass
<b>Drainage</b>	semiautomatic drain as standard, for max. 16 bar optionally manual drain, for max. 30 bar or automatic drain, for max. 16 bar
<b>Operating pressure</b>	max. 16 bar for metal bowl with sight glass max. 30 bar for metal bowl without sight glass
<b>Temperature range</b>	-10 °C to 50 °C / 14 °F to 122 °F for metal bowl with sight glass (-01 bis -04 / -12 / -16) -20 °C to 60 °C / -4 °F to 140 °F for metal bowl with sight glass (-06 / -1A) -30 °C to 80 °C / -22 °F to 176 °F for metal bowl without sight glass
<b>Material</b>	Body: zinc die-cast at sizes G $\frac{1}{4}$ and G $\frac{1}{2}$ , aluminium at sizes G $\frac{3}{8}$ to G2 Bowl: zinc die-cast Elastomer: NBR/Buna-N



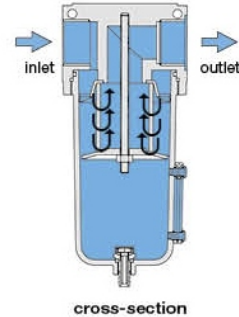
Dimensions			Bowl	Flow	Supply	Filter	Connection	Order
A	B	C	Design	Capacity	rate	element	thread	number
mm	mm	mm	made of/with	l	m <sup>3</sup> /h*1	µm	G	

Compressed air filter series "D"									with semiautomatic drain, 99.99 % at 0.01 µm	FD
241	206	179	metal/sight glass	0.5	570	9500	16	50	G1 $\frac{1}{4}$	FD-10MJ
					432	7200	16	5		FD-10MG
				metal/sight glass	0.5	114	1900	16		0.01
241	206	179	metal/sight glass	0.5	600	10000	16	50	G1 $\frac{1}{2}$	FD-1AMJ
					450	7500	16	5		FD-1AMG
				metal/sight glass	0.5	120	2000	16		0.01
215	273	231	metal/sight glass	1.2	1800	30000	16	50	G1 $\frac{1}{2}$	FD-12MJ
					1380	23000	16	5		FD-12MG
215	273	231	metal/sight glass	1.2	1800	30000	16	50	G2	FD-16MJ
					1380	23000	16	5		FD-16MG



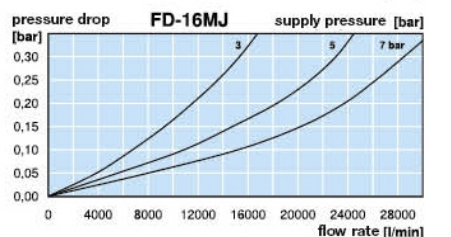
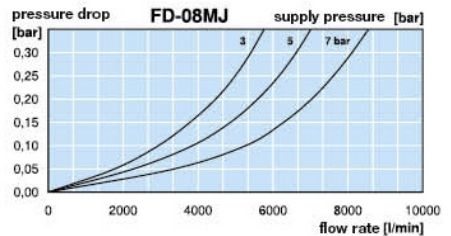
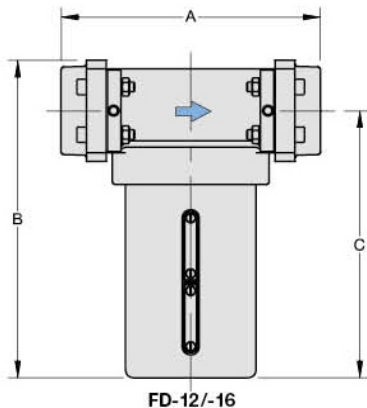
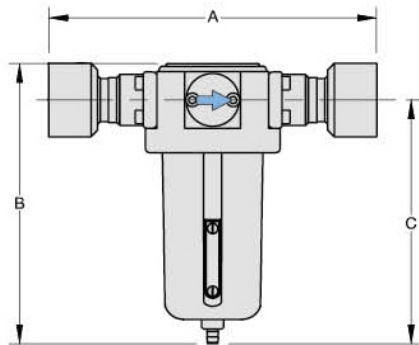
**Special options, add the appropriate letter**

operating pressure 30 bar	metal bowl w/o sight glass, with manual drain	FD- . . N. H
manual drain	max. 16 bar	FD- . . . . H
automatic drain	draining through float valve, max. 16 bar for G $\frac{3}{8}$ to G2	FD- . . . . R



**Accessories, enclosed**

mounting bracket	made of stainless steel	for G $\frac{3}{8}$ to G1 $\frac{1}{2}$ (1A)	BW00-59S
	made of steel	for G1 $\frac{1}{2}$ (12) and G2	BW00-61



\*1 at 7 bar operating pressure and 0.33 bar pressure drop

