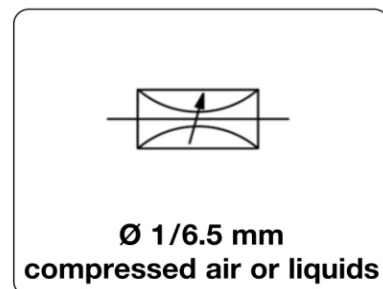


VR6 - Régleur de débit, manuel, de précision, à aiguille, pour air, gaz neutres ou liquides

Description	The modular, compact micro needle valve is for fine-flow adjustment of gases and liquids. It consists of an inner valve and body with straight or angle connector. The valve is free from oil and grease.	
Media	5 µm filtered compressed air, non-corrosive gases or liquids	
Operating pressure	vacuum up to positive pressure of max. 40 bar	
Adjustment	The micro valve has a 15-turn spindle to fully open from a closed condition. It operates with virtually no hysteresis and closes clockwise or optionally counterclockwise. The valve needle is non-rotating and thus provides a stable adjustment.	
Panel mounting	borehole 15 mm,	mounting through two screws M4x10
Temperature range	-40 °C to 100 °C / -40 °F to 212 °F	
Material	Body: anodized aluminium, optionally stainless steel Inner valve: nickel-plated brass, optionally stainless steel	Elastomer: FKM, optionally EPDM Knob: plastic



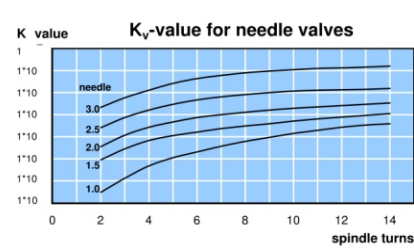
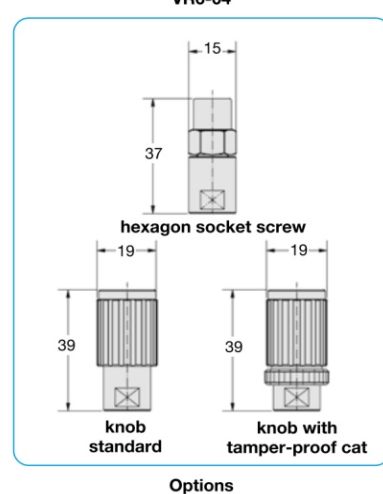
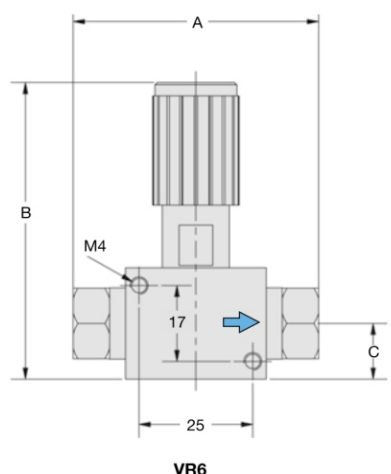
Dimensions			Needle size mm	K _v -value (m ³ /h)	Flow rate		Connection thread G	Order number
A	B	C			water l/min*2	air l/min*1		

Precision needle valve				with straight pass, right-hand closing, with knob, aluminium/brass/FKM, supply: max. 40 bar				VR
54	64	10	1.0	0.0007	0... 0.01	0... 0.3	G ¹ / ₄	VR6-02A
			1.5	0.005	0... 0.10	0... 2.5		VR6-02B
			2.0	0.01	0... 0.15	0... 7.0		VR6-02C
			2.5	0.04	0... 0.60	0... 17		VR6-02D
			3.0	0.10	0... 2.30	0... 60		VR6-02E
62	80	17.5	4.0	0.58	0... 8.00	0... 250	G ¹ / ₂	VR6-04A
			6.5	1.00	0... 16	0... 425		VR6-04B



Special options, add the appropriate letter

stainless steel body	body and valve made of stainless steel 316	for G ¹ / ₄	VR6-02.S
EPDM elastomer	SST body only	for G ¹ / ₄	VR6-02.SE
FFKM elastomer	SST body only	for G ¹ / ₄	VR6-02.SX29
amper-proof cap	on valve with knob, standard		VR6-0..T
hexagon socket screw	and locknut		VR6-0..I
rotary knob with display	100 graduation, with star grip		VR6-0..R



*1 at 1 bar operating pressure and open outlet
*2 at 1 bar pressure difference

