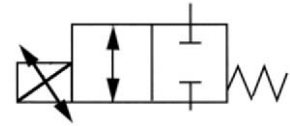


Description	Compact positioner with closed loop and analogue control. Compressed air for remote control necessary. The stroke is made proportional to the flow through the parabolic contour of the piston. The valve shuts tight and is of anti-waterhammer design.		
Media	Compressed air or vacuum up to 10 ² mbar; gases and liquids up to 600 cSt (mm ² /s) steam up to 184 °C / 364 °F at reduced pressure		
Supply signal	pneumatic: lubricated or non-lubricated air filtered to 50 µm, 4-10 bar, G ³ / ₈ connection electric: 0-10V, 4-20 mA as option, supply 24V DC, ±10%, consumption 3.6W/150mA feed-back potentiometer 500Ω, cable box 15x15 mm, 4-pins, PG7P, IP65		
Compact valve	2/2-valve, 3/2-valve	NC as standard for mixing different media,	NO as option with standard piston IP 65
Mounting position	any	Protection class Repeatability	
Linearity/Hysteresis	< 2 % FS	< 0.5 % FS	
Failsafe	in the event of voltage failure: valve closed (NC), as option: outlet flow freezes		
Temperature range	-10 °C to 60 °C / 14 °F to 140 °F		
Materials	Valve housing: bronze, stainless steel 316L as option Prop-v. housing: aluminium and PA + FV	Disc seal: PTFE / Teflon	



0-10 V / 4-20 mA
0-33 / 1850 l/min
air, vacuum, liquids

Dimensions			Operating pressure	Flow rate water (max.)	Nominal size	Connection thread	Order number
height	width	Ø*2	max. bar	K _v (m ³ /h)	DN	G	
mm	mm	mm					

Proportional Flow valve 2/2-valve, NC, bronze, pilot pressure 4-10 bar
0-10 V, 24 V DC, failsafe closing if voltage fails

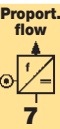
height	width	Ø*2	max. bar	K _v (m ³ /h)	DN	G	Order number
93	92	32	16	2.0	0 ... 33	10	G ³ / ₈ PVD1-03AS*1
97	99	32	12	3.5	0 ... 58	15	G ¹ / ₂ PVD1-04AS*1
155	142	50	16	4.9	0 ... 82	15	G ¹ / ₂ PVD1-04B
185	175	63	16	9.4	0 ... 157	20	G ³ / ₄ PVD1-06C
165	155	50	6	13.0	0 ... 213	25	G1 PVD1-08B
209	197	90	16	16.0	0 ... 275	25	G1 PVD1-08D
246	236	90	12	27.0	0 ... 450	32	G ¹ / ₄ PVD1-10D
298	284	125	16	29.0	0 ... 483	32	G ¹ / ₄ PVD1-10E
245	224	63	4	45.0	0 ... 750	40	G ¹ / ₂ PVD1-12C
262	243	90	8	45.0	0 ... 750	40	G ¹ / ₂ PVD1-12D
314	291	125	16	48.0	0 ... 800	40	G ¹ / ₂ PVD1-12E
259	249	63	2	59.0	0 ... 980	50	G2 PVD1-16C
276	267	90	6	59.0	0 ... 980	50	G2 PVD1-16D
328	315	125	10	66.0	0 ... 1100	50	G2 PVD1-16E
300	299	90	2	94.0	0 ... 1570	65	G ² / ₂ PVD1-20D
352	347	125	6	111.0	0 ... 1850	65	G ² / ₂ PVD1-20E



PVD1, with 2/2 valve



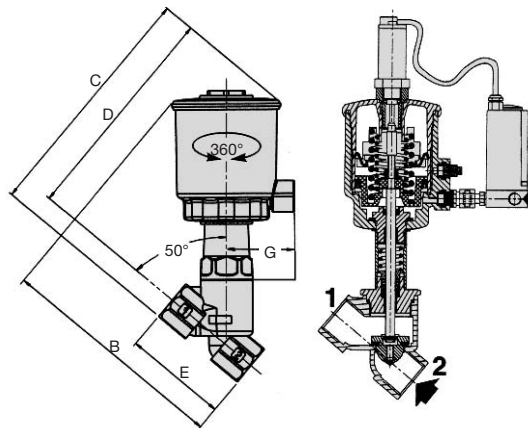
PVD3, with 3/2 valve



Special options add the appropriate letter

- | | | | |
|--------------------------|----------------------------------------------|----------|---------------|
| NO normal open | add the appropriate letter | 2 | PVD2 - ... |
| 3/2 valve | in basic position | 3 | PVD3 - ... |
| failfreeze | for mixing different media | K | PVD1 - ... K |
| stainless steel | AISI 316L | S | PVD1 - ... S |
| 4-20 mA | pilot signal | I | PVD1 - ... I |
| external feedback | 0-10 V (R _i = 100 kΩ) | R | PVD1 - ... R |
| oxygen | special cleaned (not DN 65) | O | PVD1 - ... O |
| steam | inverse direction of fluid | D | PVD1 - ... D |
| NET-inox | stainless steel housing for aggressive media | N | PVD1 - ... SN |
| flange | clamp connection or welded ports | F | PVD1 - ... F |

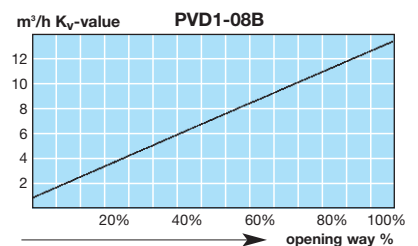
head	weight	B	C	D	E	ØF	G	ØH
A 32 mm	3/8	92	93	81.5	55	43.5	27	23.5
	1/2	99	97	83.5	65	43.5	27	28
	3/4	107	104.5	88	75	43.5	27	30
B 50 mm	1/2	142	154.5	141	65	69	43	27
	3/4	150.5	159	143	75	69	43	32
	1	155	165	145	90	69	43	41
C 63 mm	1/2	170	182	169	65	85	50.5	27
	3/4	175	185	170	75	85	50.5	32
	1	179	192	172	90	85	50.5	41
	1 1/4	217	229	204	110	85	50.5	50
	1 1/2	224	245	215	120	85	50.5	60
2	249	259	224	150	85	50.5	70	
D 63 mm	1	197	209	189	90	118	67	41
	1 1/4	236	246	221	110	118	67	50
	1 1/2	243	262	232	120	118	67	60
	2	267	276	241	150	118	67	70
	2 1/2	299	300	257	190	118	67	86
E 125 mm	1 1/4	284	298	373	110	156	86	50
	1 1/2	291	313.5	283.5	120	156	86	60
	2	315	328	293	150	156	86	70
	2 1/2	347	352	308	190	156	86	86



dimensions



profiles piston makes possible
K_v value change proportional to stroke



*1 of stainless steel *2 Ø of pilot head

For details please consult chapter 6 "PC"



Order example:
PVD1-08C