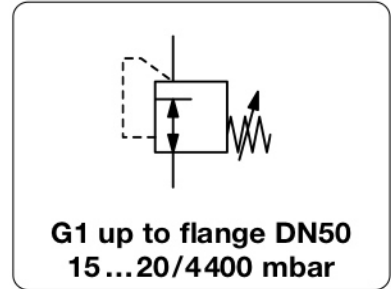


RZ - Régulateur basse-pression, sensible, sans consommation, raccordement taraudé ou sur brides, corps en fonte ductile, compatible avec de nombreux gaz.

Description	Highly sensitive diaphragm pressure regulator.	
Media	compressed air or non-corrosive gases	
Supply pressure	max. 20 bar depending on the accuracy range	AR: the smaller P ₁ the higher the accuracy, min. 1 bar
Accuracy	max. 10 bar at pressure range < 120 mbar	< e.g. 10% FS pressure deviation
Air consumption	at maximum volume flow	without constant bleed
Adjustment	manual by turning the spindle under the cover of the spring cage	
Relieving function	non-relieving, optionally relieving	
Relief capacity	Can be adjusted independently of outlet pressure. On non-relieving designs: blocked exhaust valve.	
Gauge port	not available	Mounting position any
Temperature range	-20 °C to 60 °C / -4 °F to 140 °F	
Material	Body: SG cast iron GGG50, GGG40 at DN50 Spring cage: aluminium	Elastomer: NBR/Buna-N, optionally FKM Inner valve: brass and stainless steel



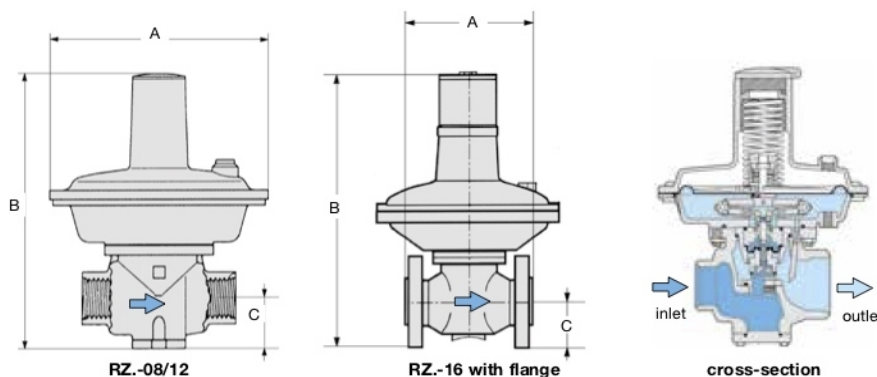
Dimensions			Accuracy	Nominal size	Flow rate	P ₁ max.	Connection thread	Pressure range	Order number
A	B	C	%	DN	l/min*1	bar*2	G	mbar	
mm	mm	mm							

Low press. regulator w. positioning spring										P1: max. 20 bar, non-relieving	RZ
185	245	30	10	17	1800	10	G1	15 ... 20	RZ1-08A		
								20 ... 30	RZ1-08B		
								30 ... 40	RZ1-08C		
								40 ... 70	RZ1-08D		
								70 ... 110	RZ1-08E		
								110 ... 180	RZ2-08F		
								180 ... 300	RZ2-08G		
								300 ... 700	RZ3-08H		
185	245	30	10	17	2700	10	G1½*3	15 ... 20	RZ1-12A		
								20 ... 30	RZ1-12B		
								30 ... 40	RZ1-12C		
								40 ... 70	RZ1-12D		
								70 ... 110	RZ1-12E		
								110 ... 180	RZ2-12F		
								180 ... 300	RZ2-12G		
								300 ... 700	RZ3-12H		
254	460	80	5	22	15000	10	flange	10 ... 18	RZ1-16AF		
								15 ... 30	RZ1-16BF		
								25 ... 49	RZ1-16CF		
								40 ... 75	RZ1-16DF		
								62 ... 120	RZ1-16EF		
								100 ... 170	RZ1-16FF		
								145 ... 270	RZ1-16GF		
								230 ... 350	RZ1-16HF		
								280 ... 720	RZ2-16IF		
								840 ... 1250	RZ2-16KF		
				34	28000	20					
				28000	20						



Special options, add the appropriate letter

further ranges	RZ3-08 / -12	700...1100 I	1100...2000 J	2000...3000	RZ3-... K
further ranges	RZ2-16	1050...2300 L		2000...4400	RZ3-16M
relieving		with relieving function, adjustable			
FKM elastomer		RZ-... R			
flange connection		see chapter for stainless steel devices / flanges			
nitrogen	N ₂ : 07	carbon dioxide	CO ₂ : 03	argon	Ar: RZ-... 05
helium	He: 09	hydrogen	H ₂ : 11	methane	CH ₄ : RZ-... 13
oxygen	O ₂ : 15 (max. 16 bar)	propane	C ₃ H ₈ : 16	nitrous oxide	N ₂ O: RZ-... 17



*1 at 4 bar supply pressure and max. outlet pressure *2 see description above *3 G1 thread at inlet

