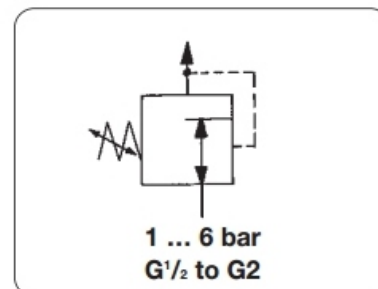


RW - Régulateur de pression pour eau potable - G1/2" à G2" - 40 bar -> 1 à 6 bar

RW - Drinking water Pressure Regulator - G1/2" up to G2" - 40 bar

Description	Pressure regulator with diaphragm for drinking water or compressed air. Non-relieving.	
	RW1	RW2
Special features	Small, low-cost High-capacity filter in body	With display for outlet pressure and filter Preselection of desired pressure without need for gauge.
Supply pressure	max. 40 bar	max. 25 bar
Ports	G1/2 to G1, female thread	1/4" to 2", union nipples
Gauge port	1 port on the side for outlet pressure	
Temperature range	0 °C to 85 °C / 32 °F to 185 °F for water	0 °C to 70 °C / 32 °F to 160 °F for compressed air
Material	Body Elastomer Handwheel Inner valve	sandblasted brass NBR (Buna N) ABS brass or stainless steel



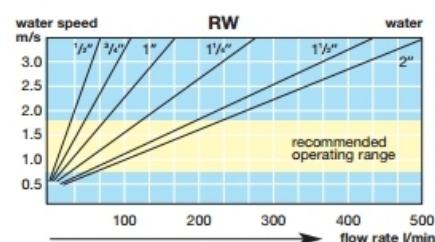
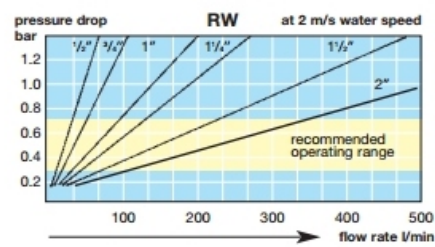
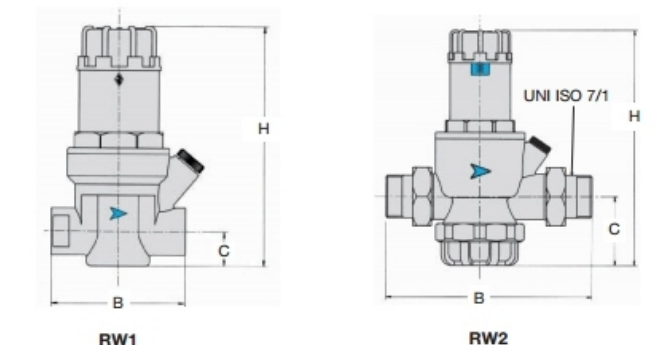
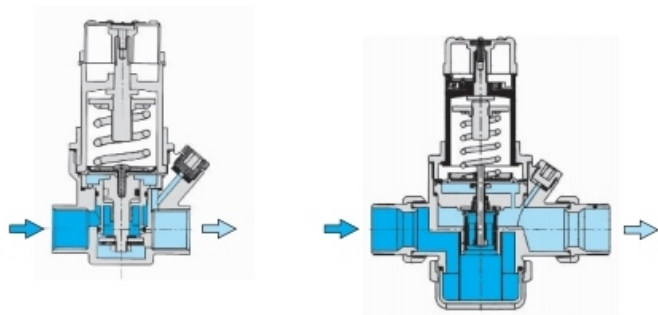
Dimensions			Supply pressure max. bar	Nominal size DN	Flow rate l/min*	Connection thread G/nipple	Order number
H	B	C					

Pressure regulator 1 ... 6 bar			non-relieving, of brass for water		RW		
122	68	18	40 bar	DN 15	25	G1/2	RW1 - 04
134	78	18		DN 20	45	G3/4	RW1 - 06
137	81	20		DN 25	80	G1	RW1 - 08
145	140	44	25 bar	DN 15	25	1/2" a nipple	RW2 - 04
160	160	46		DN 20	45	3/4" a nipple	RW2 - 06
168	181	51		DN 25	80	1" a nipple	RW2 - 08
168	190	51		DN 32	120	1 1/4" a nipple	RW2 - 10
194	218	62		DN 40	180	1 1/2" a nipple	RW2 - 12
198	240	68		DN 50	300	2" a nipple	RW2 - 16



Special options add the appropriate letter

gauge	MA5002-06	Ø 50	for regulator G1/2	G	RW. - 04 G
gauge	MA6302-06	Ø 63	for all other regulators	G	RW. - . . G



* at 2 m/s water speed

