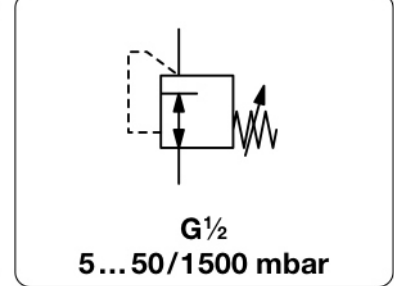


RR - Régulateur de basse pression pour gaz purs, de qualité jusqu'à 5.0, soit 99.999%

Description	Precision regulator in mbar range without auxiliary power. Accurate and reliable regulation with large diaphragm for high sensitivity compressed air or non-corrosive gases up to 5.0 purity (99.999% vol.)
Media	
Supply pressure	max. 20 bar
Air consumption	without constant bleed
Adjustment	by handwheel with locknut
Relieving function	non-relieving
Gauge port	G $\frac{1}{2}$ on the bottom side of the body, screw plug supplied
Mounting position	any
Temperature range	-20 °C to 70 °C / -4 °F to 158 °F, for CO $_2$ up to 40 °C / 104 °F
Material	Body: grey-coated brass Diaphragm: EPDM with PTFE coating O-rings: NBR/Buna-N Inner valve: brass



Dimensions			Flow rate	Connection thread	Pressure range	Order number
A	B	C				
mm	mm	mm	m 3 /h*1 l/min*1	G	mbar/bar	

Low pressure regulator			supply pressure max. 20 bar, non-relieving, without constant bleed		RR	
164	156	41	5	75	G $\frac{1}{2}$	5 ... 50 mbar RR-04A
			12	200		10 ... 100 mbar RR-04B
			30	500		50 ... 500 mbar RR-04C
			45	750		0.1... 1 bar RR-04D
			51	850		0.2... 1.5 bar RR-04E



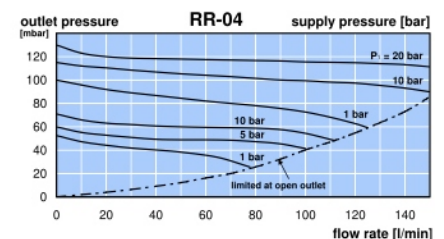
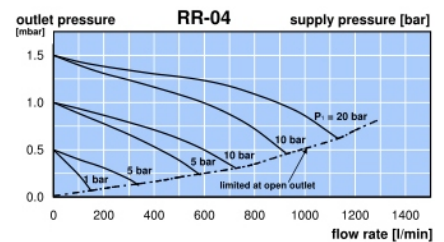
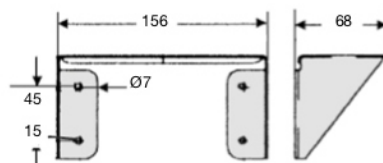
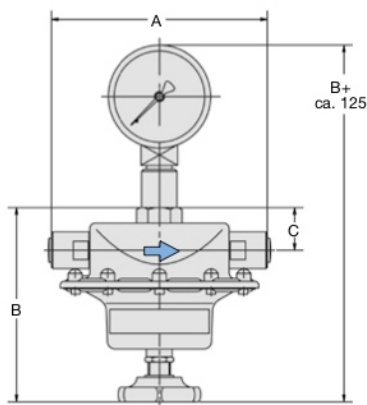
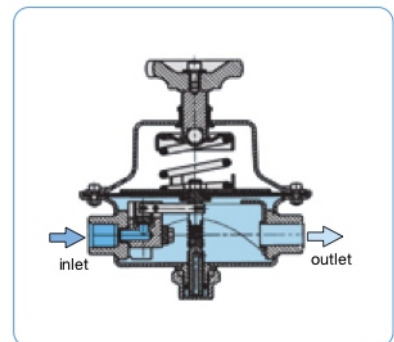
RR

Special options, add the appropriate letter

free of grease and oil	suitable for oxygen and flammable gases	RR-...L
pressure gauge	Ø 100 mm, 0... bar, handwheel at the bottom	RR-...G

Accessories, enclosed

mounting bracket	made of steel	for RR-04	BW00-64
-------------------------	---------------	-----------	----------------



*1 at 6 bar supply pressure and open outlet