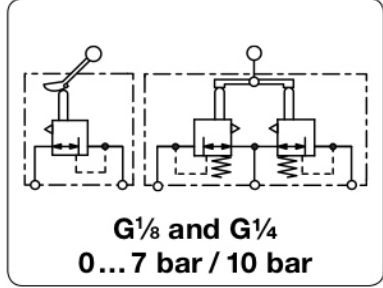


# RN - Régulateur de pression à commande manuelle proportionnelle rotative ou par levier manipulateur à joystick

<b>Description</b>	Lever mechanism allows the diaphragm regulator to operate as a proportional converter with pneumatic outlet signal. Moving the lever by 141° (RN1) or 32° (RN2) allows full-range adjustment of regulated pressure, e.g. from 0 to 7 bar. compressed air or non-corrosive gases	
<b>Media</b>	<b>RN1</b>	<b>RN2</b>
<b>Supply pressure</b>	max. 16 bar	max. 10 bar
<b>Adjustment</b>	by side lever 0...141° angle range without spring reset	by vertical lever 2x 0...32° angle range to each side with spring reset in centre position relieving
<b>Relieving function</b>	relieving	
<b>Gauge port</b>	G $\frac{1}{8}$ on both sides of the body, screw plugs supplied any	
<b>Mounting position</b>	any	
<b>Temperature range</b>	-40 °C to 80 °C / -40 °F to 176 °F	-20 °C to 70 °C / -4 °F to 158 °F
<b>Material</b>	Body: nickel-plated brass Elastomer: NBR/Buna-N	Body: anodized aluminium Elastomer: NBR/Buna-N



Dimensions			Description	Flow rate	Connection thread	Pressure range	Order number
A	B	C					
mm	mm	mm		m $^3$ /h*1	l/min	G	bar

### Regulator with side lever supply pressure max. 16 bar, relieving, brass **RN1**

45	81	10	<b>without spring reset</b>	18	300	G $\frac{1}{4}$	0... 10	<b>RN1-02D</b>
----	----	----	-----------------------------	----	-----	-----------------	---------	----------------



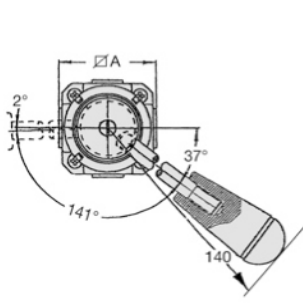
### Regulator with vertical lever supply pressure max. 10 bar, relieving, aluminium **RN2**

70	205	12	<b>spring-centered</b>	12	200	G $\frac{1}{8}$	0... 7	<b>RN2-01ZC</b>
			<b>centre-engaging</b>				0... 7	<b>RN2-01RC</b>
50	91	12	<b>on/off switch</b>				max.20	<b>RN2-01EIN</b>

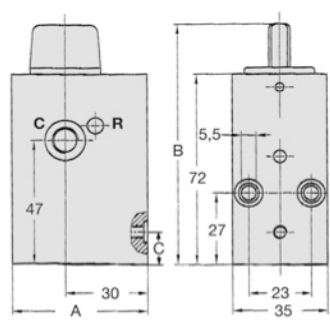
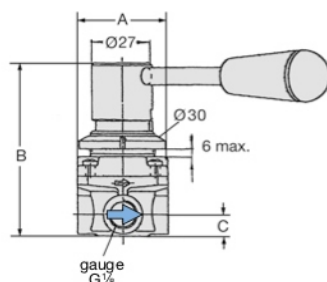


### Special options, add the appropriate letter

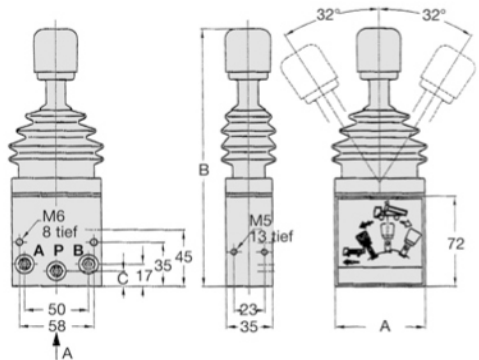
<b>for oxygen</b>	especially cleaned, with oxygen grease	for RN1	RN1-02 . 15
-------------------	--	---------	-------------



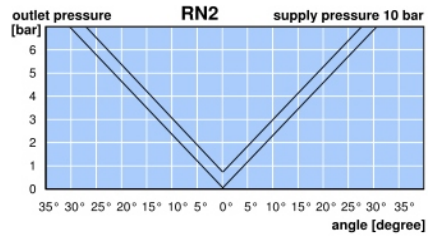
**RN1**



**RN2-01EIN**



**RN2-01.C**



\*1 at 7 bar supply pressure and 6 bar outlet pressure

