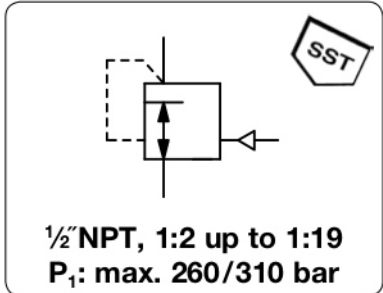


RH3J - Régulateur de pression piloté haute pression à dôme - Booster amplificateur de débit, pour air, gaz et liquides. Rapport d'amplification 1:2 à 1:19

Description	Highly reliable high pressure volume booster with diaphragm and high flow. In addition, the booster features high sensitivity and excellent regulating characteristics.		
Media	compressed air, non-corrosive gases or liquids		
Supply pressure	max. 260 bar, optionally 345 bar or 310 bar		
Test pressure	150% of maximum supply pressure according to regulations ANSI / ASME B31.3		
Pilot pressure	see chart, pilot port G $\frac{1}{8}$ "		
Leakage rate	< 1 x 10 ⁻⁴ mbar l/s He		
Air consumption	without constant bleed		
Relieving function	non-relieving		
Gauge port	not available, optionally 1/4" NPT at inlet and outlet		
Mounting position	any		
Temperature range	-25 °C to 100 °C / -13 °F to 212 °F		
Material	Body: brass, optionally stainless steel	Elastomer: FKM	Inner valve: PTFE, brass or optionally stainless steel



Dimensions			K _v -value	Flow rate	Pilot pressure	Pressure range	Transmission ratio	Order number
A	B	C	(m ³ /h)	m ³ /h*1	l/min*1	max. bar	signal : outlet	
mm	mm	mm				bar		

High pressure booster			supply pressure max. 260 bar, non-relieving, without constant bleed, without gauge port				1/2" NPT		RH3-J
76	170	45	1.7	420	7000	21	3... 42	1 : 2	RH3-J402
						17	5... 70	1 : 4	RH3-J404
						5	3... 42	1 : 8	RH3-J408
						5	5... 70	1 : 13	RH3-J413
						5	10...104	1 : 19	RH3-J419



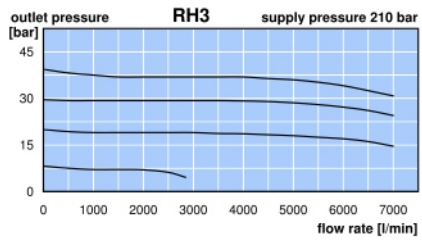
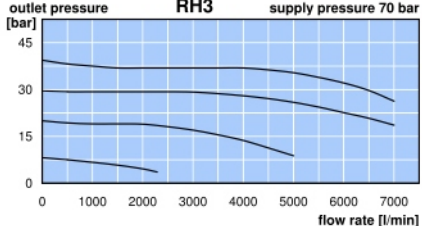
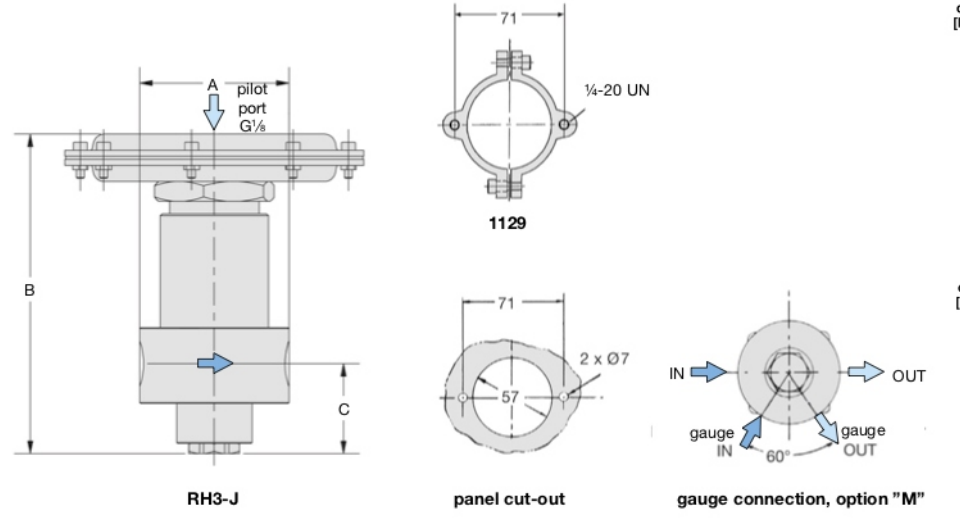
RH3-J

Special options, add the appropriate letter

1/4" NPT	connection thread			RH3-J6 . .
SST, 310 bar	body made of stainless steel 316			RH3-J . . . S1
for liquids	no filter at inlet port			RH3-J . . . W
gauge port	1/4" NPT for inlet and outlet			RH3-J . . . M
brass gauge	for brass body, on the input side	MHM	output side	RH3-J . . . MGM
SST gauge	for SST body, on the input side	MH	output side	RH3-J . . . MG

Accessories, enclosed

set of brackets	for panel mounting	1129
-----------------	--------------------	------



*1 at 210 bar supply pressure and 40 bar outlet pressure

