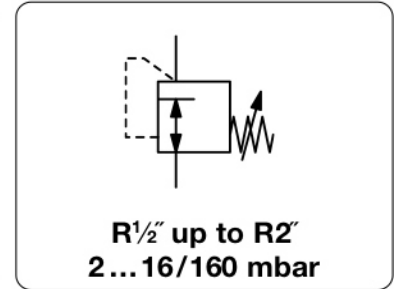


RGDJ - Détendeur basse pression, compensé, de précision, compatible air comprimé, gaz non corrosif, biogaz

Description	Highly sensitive low pressure regulator with inlet pressure compensation for high precision regulation. Zero shut-off prevents outlet pressure from increasing.	
Media	compressed air or non-corrosive gases, dryly biogas H ₂ S < 200 ppm	
Supply pressure	max. 400 mbar	
Air consumption	without constant bleed	
Adjustment	manual by turning the spindle under the cover of the spring cage	
Relieving function	non-relieving	
Accuracy	at maximum volume flow: < 20% FS pressure deviation	
Gauge port	none as standard, optionally gauge port G $\frac{1}{4}$ on one side from size R $\frac{3}{4}$ on	
Mounting position	any, preferably bonnet upwards	
Temperature range	-20 °C to 70 °C / -4 °F to 158 °F	
Material	Body: aluminium	Inner valve: aluminium and plastic
	Elastomer: NBR/Buna-N	



Dimensions			Nominal size	K _v -value	Flow rate		Connection thread	Pressure range	Order number
A	B	C	DN	(m ³ /h)	m ³ /h*1	l/min*1	R	mbar	

Low pressure regulator									supply pressure max. 400 mbar, non-relieving	RGDJ
100	120	30	15	0.66	12	200	$\frac{1}{2}$ "	2... 16		RGDJ-04A
								10... 20		RGDJ-04B
								16... 28		RGDJ-04C
								22... 40		RGDJ-04D
								40... 55		RGDJ-04E
134	166	34	20	1.49	27	450	$\frac{3}{4}$ "	5... 15		RGDJ-06A
								12... 25		RGDJ-06B
								22... 35		RGDJ-06C
								30... 50		RGDJ-06D
								45... 65		RGDJ-06E
								60... 80		RGDJ-06G
								75... 100		RGDJ-06I
								100... 160		RGDJ-06L
134	166	34	25	2.6	51	850	1"	pressure range see R $\frac{3}{4}$		RGDJ-08.
185	194	45	40	4.9	90	1500	$1\frac{1}{2}$ "	5... 15		RGDJ-12A
								12... 25		RGDJ-12B
								22... 35		RGDJ-12C
								30... 50		RGDJ-12D
								45... 65		RGDJ-12E
								60... 80		RGDJ-12G
								75... 100		RGDJ-12I
								100... 160		RGDJ-12L
234	219	52	50	6.6	120	2000	2"	5... 15		RGDJ-16A
								12... 25		RGDJ-16B
								22... 35		RGDJ-16C
								30... 50		RGDJ-16D
								45... 65		RGDJ-16E
								60... 80		RGDJ-16G
								75... 100		RGDJ-16I



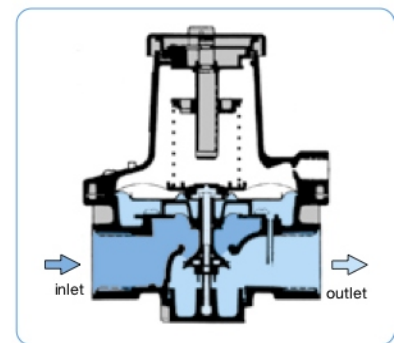
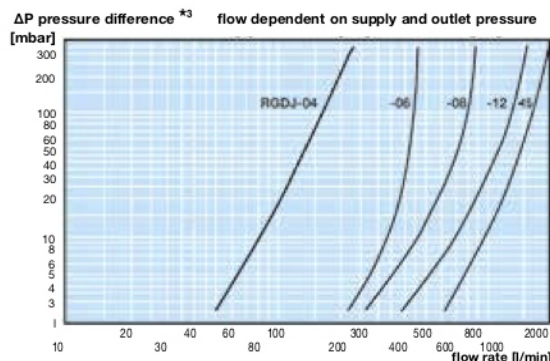
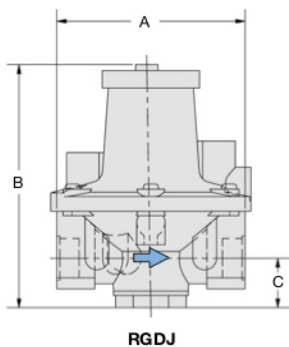
RGDJ-04



RGDJ-12

Special options, add the appropriate letter			
Connection thread G $\frac{1}{4}$	for pressure gauge	not for R $\frac{1}{2}$ "	RGDJ-... M

Accessories, enclosed			
pressure gauge	Ø 63 mm, 0... ^{*2} mbar, G $\frac{1}{4}$	from R $\frac{3}{4}$ "	MA6302-... ^{*2}



^{*1} at 350 mbar supply pressure and 100 mbar outlet pressure
^{*2} B6 = 0...60 mbar, C2 = 0...160 mbar

^{*3} Δp = P₁ - P₂, difference between supply and outlet pressure