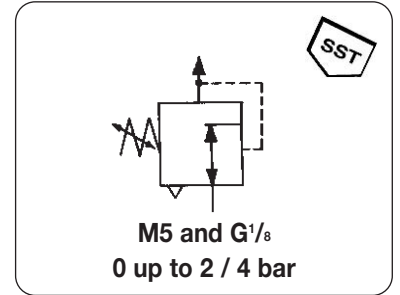


Stainless Steel Clean Precision Regulator

RE1

Description	Clean high-precision regulator with low air consumption, of SUS316. Excellent corrosion resistance.		
Media	Compressed air, nitrogen N ₂ , carbon dioxide CO ₂ , argon Ar		
Precision	0.3% FS setting sensitivity	1% FS reproducibility	
Air consumption	0.5 l/min ANR or lower, bleed flow at 2 bar		
Clean room condition	Cleaned, assembled, inspected and sealed in a class 10000 environment. All parts without oil use. HFC1416 ultrasonic cleaning of all fluid-contact parts.		
Temperature	0 °C to 60 °C / 32 °F to 140 °F ambient and fluid temperature		
Materials	Body: SUS316	Elastomer: Viton, fluor rubber	
	Bonnet: PPS, fluorresin	Seat: PTFE	
	Spring: stainless steel	Piston: Ceramics	



Dimensions		K _v -value (m³/h)	Flow capacity l/min*	Connection thread M5 / G	Pressure range bar	Order number
height mm	width mm					

Precision regulator	relieving, P ₁ : max. 10 bar,	with constant bleed with panel nut	RE1			
75	30/40	0.2	60	M5	0.05 ... 2 bar	RE1 - M5B
					0.10 ... 4 bar	RE1 - M5C
75	40	0.25	100	G ¹ / ₈	0.05 ... 2 bar	RE1 - 01B
					0.10 ... 4 bar	RE1 - 01C



RE1 - M5C

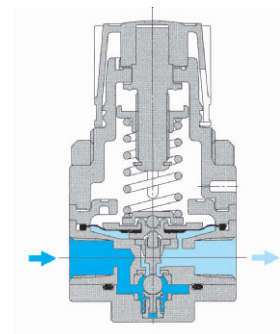
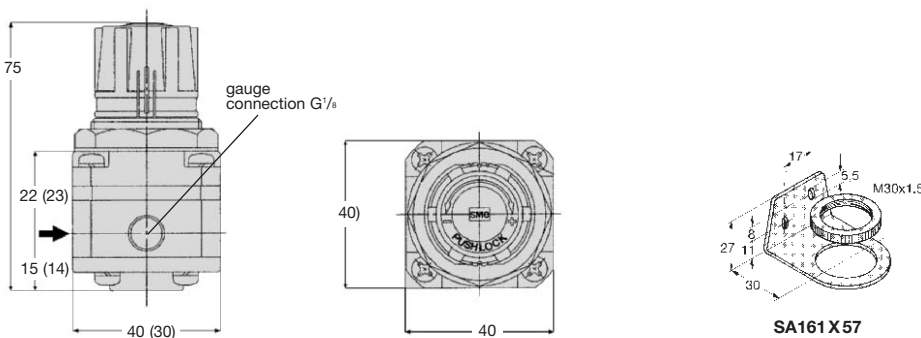
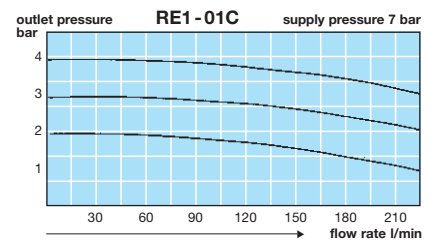
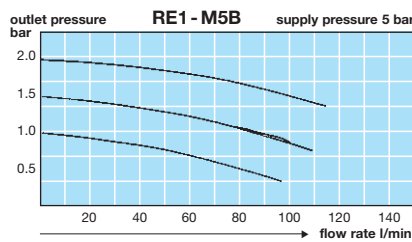
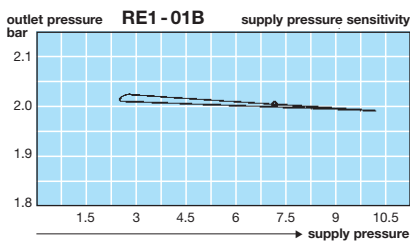
Special options add the appropriate letter

mounting bracket SA161X57 X RE1 - . . . X



RE1 - 01C

SST
SST
9



() regulator with M5 connection thread
*1 at 7 bar supply pressure and 1 bar pressure drop

For your information:	1 bar: 14.5 psi	1 l/min: 0.035 scfm	1 mm: 0.039 inch	Pressure gauge: see end of chapter
	1 psi: 0.069 bar	1 scfm: 28.3 l/min	1 inch: 25.4 mm	

Order example: RE1 - 01C