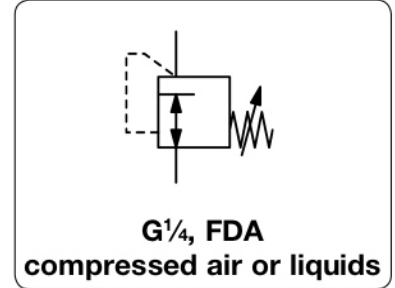


R91 - Régulateur de pression, léger, compact, certifié FDA

Compatible air, eau alimentaire, équipement médical de dialyse

Description	Diaphragm miniature pressure regulator of small and lightweight design. All fluid-contact parts of R91-..K are approved by the FDA.	
Application area	food industry and water circulation, e.g. for dialysis devices	
Media	compressed air, non-corrosive gases, deionized water or other liquids.	
Supply pressure	max. 10 bar	Adjustment by plastic knob with snap-lock
Relieving function	non-relieving for drinking water (FDA), relieving for compressed air	
Gauge port	G $\frac{1}{4}$ on both sides of the body	Mounting position any
Temperature range	0 °C to 60 °C / 32 °F to 140 °F	
Material for	drinking water	compressed air
	Body: acetal	acetal
	Elastomer: acetal and nylon-reinforced nitrile	acetal and nylon-reinforced nitrile
	NBR/Buna-N	not FDA-approved
	Valve and o-ring: stainless steel and EPDM, FDA-approved	brass, nitrile and NBR/Buna-N



Dimensions			Flow rate		Connection	Pressure	Order
A	B	C	water	air	thread	range	number
mm	mm	mm	l/min*1	l/min*1	G	bar	

Press. regulator w. FDA approval for drinking water						P \leq max. 10 bar, EPDM non-relieving	R91-K
42	76	11	6	380	G $\frac{1}{4}$	0.1 ... 3.5	R91-02BK
						0.1 ... 8.5	R91-02CK

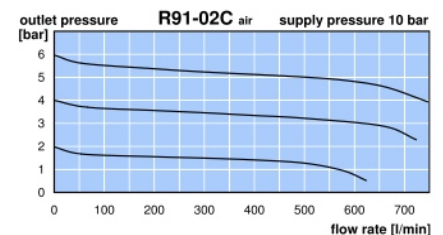
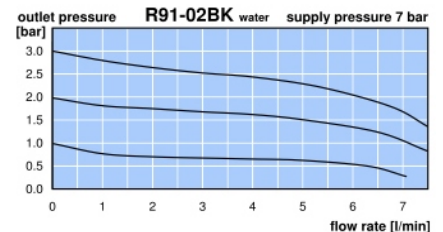
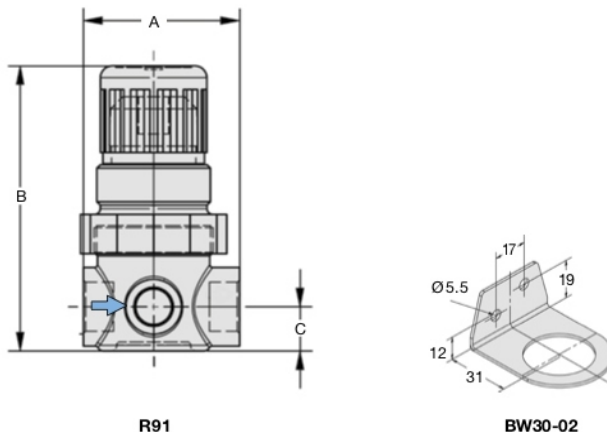
Press. regulator for compressed air						P \leq max. 10 bar, NBR/Buna-N relieving	R91
42	76	11		380	G $\frac{1}{4}$	0.1 ... 3.5	R91-02B
						0.1 ... 8.5	R91-02C



Special options, add the appropriate letter		
NPT	connection thread	R91-02 . N

Accessories, enclosed

pressure gauge	\varnothing 40 mm, G $\frac{1}{8}$	0... 4 bar	MA4001-04
		0... 10 bar	MA5002-10
mounting bracket	made of steel		BW30-02
mounting nut	made of plastic		M30x1,5K
	made of aluminium		M30x1,5A



*1 supply pressure 1 bar above outlet pressure