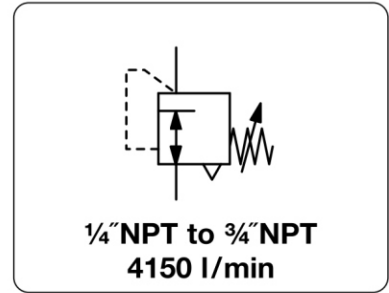


R700 - Détendeur de pression de haute précision, à double étage, et fuite permanente de régulation

Description	The diaphragm regulator provides high-precision two-stage regulation in high flow and high relief applications. A special diaphragm and balanced inner valve ensure constant outlet pressure even with changing supply pressure and flow fluctuations.
Media	compressed air or non-corrosive gases
Supply pressure	max. 17 bar
Accuracy	response sensitivity: < 2 mbar
Air consumption	max. 3 l/min in depending on outlet pressure
Relieving function	relieving
Relief capacity	1000 l/min at 5 bar outlet and 0.35 bar overpressure above setpoint
Gauge port	¼" NPT on both sides of the body
Mounting position	any
Temperature range	0 °C to 71 °C / 32 °F to 160 °F, for appropriately conditioned compressed air down to -29 °C / -29 °F
Material	Body: aluminium die-cast Elastomer: NBR/Buna-N Inner valve: stainless steel, brass and aluminium



Dimensions			K _v -value (m³/h)	Flow rate		Connection thread NPT	Pressure range bar	Order Number
A	B	C		m³/h*1	l/min*1			

Precision pressure regulator							supply pressure max. 17 bar, relieving, with constant bleed	R700
92	176	25	2.0	100	1600	¼" NPT	0.14 ... 2.7	R700-02A
							0.14 ... 4.1	R700-02B
							0.14 ... 8.2	R700-02C
92	176	25	4.3	220	3600	½" NPT	0.14 ... 2.7	R700-04A
							0.14 ... 4.1	R700-04B
							0.14 ... 8.2	R700-04C
92	176	25	5.0	250	4150	¾" NPT	0.14 ... 2.7	R700-06A
							0.14 ... 4.1	R700-06B
							0.14 ... 8.2	R700-06C



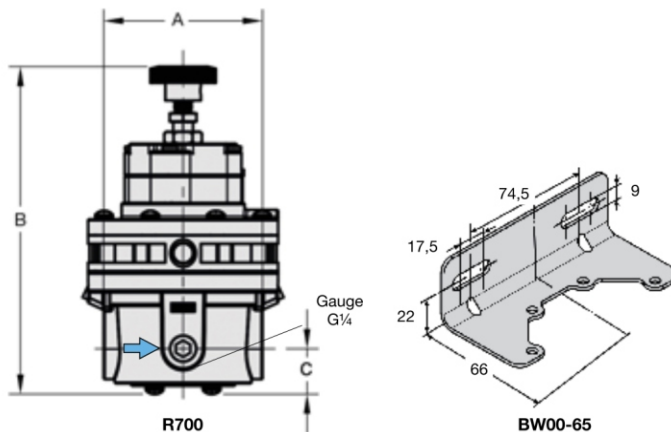
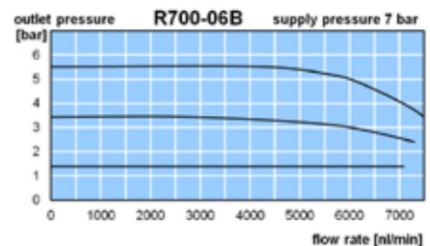
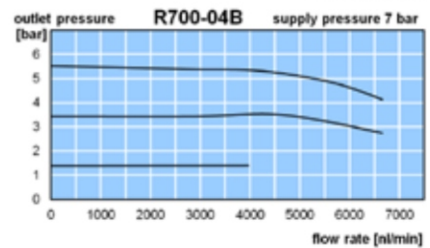
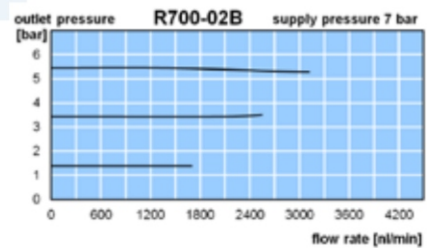
R700

Special options, add the appropriate letter

tapped exhaust	connection thread ¼" NPT	R700-0..X12
tamper-proof cap	aluminium, adjustment by screwdriver, total height 173 mm	R700-0..T

Accessories, enclosed

pressure gauge	Ø 63 mm, 0...*2 bar, G¼	MA6302-..*2
gauge connection	made of brass, adapter ¼" NPT to G¼ female	AM-06
Mounting bracket	made of steel	BW00-65



*2 bei 04 = 0...4 bar, 06 = 0...6 bar, 10 = 0...10 bar