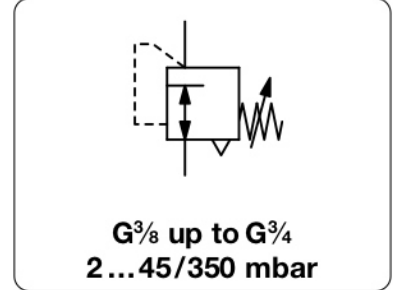


# R4100 - Régulateur basse pression, de précision, sans consommation, très sensible, pour air comprimé et gaz neutres.

<b>Description</b>	High precision diaphragm pressure regulator with high flow, without zero shut-off (counterpressure is required).
<b>Media</b>	compressed air or non-corrosive gases
<b>Supply pressure</b>	max. 10 bar
<b>Accuracy</b>	sensitivity < 2 mbar
<b>Air consumption</b>	without constant bleed
<b>Adjustment</b>	by handwheel with locknut
<b>Relieving function</b>	relieving
<b>Gauge port</b>	G $\frac{1}{4}$ on both sides of the body, screw plug supplied
<b>Mounting position</b>	any
<b>Temperature range</b>	0 °C to 90 °C / 32 °F to 194°F, for appropriately conditioned compressed air down to -40 °C / -40 °F
<b>Material</b>	Body: aluminium die-cast Elastomer: NBR/Buna-N Inner valve: stainless steel, brass, aluminium and steel

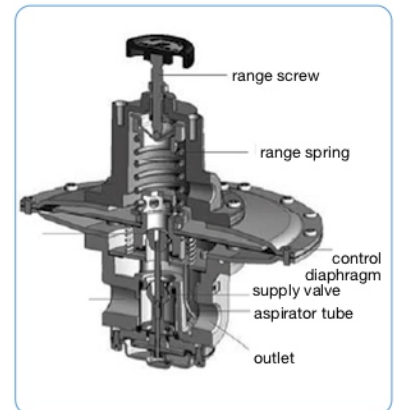


Dimensions			K <sub>v</sub> -value (m <sup>3</sup> /h)	Flow rate		Connection thread G	Pressure range mbar	Order number
A	B	C		m <sup>3</sup> /h*1	l/min*1			

Precision low pressure regulator							P1: max. 10 bar, relieving, without constant bleed	R4100
87	219	40	0.24	30	500	G $\frac{3}{8}$	2 ... 45	R4100-03A
							2 ... 95	R4100-03B
							5 ... 210	R4100-03C
							5 ... 350	R4100-03D
87	219	40	0.27	36	600	G $\frac{1}{2}$	2 ... 45	R4100-04A
							2 ... 95	R4100-04B
							5 ... 210	R4100-04C
							5 ... 350	R4100-04D
87	219	40	0.30	42	700	G $\frac{3}{4}$	2 ... 45	R4100-06A
							2 ... 95	R4100-06B
							5 ... 210	R4100-06C
							5 ... 350	R4100-06D



R4100



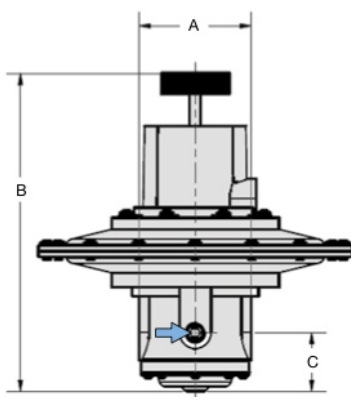
cross section

## Special options, add the appropriate letter

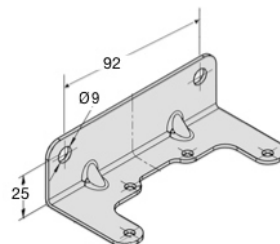
<b>NPT</b>	connection thread	R4100-...N
<b>tapped exhaust</b>	connection thread G $\frac{1}{4}$	R4100-...X12
<b>tamper-proof cap</b>	made of aluminium, adjustment by screwdriver, height 295 mm	R4100-...T
<b>FKM elastomer</b>		R4100-...V
<b>flange connection</b>	see chapter for stainless steel devices / flanges	R4100-...F.

## Accessories, enclosed

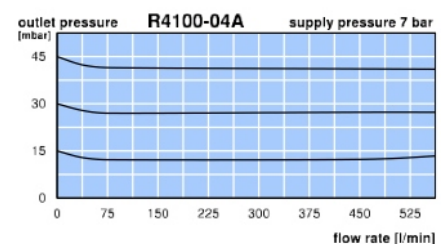
<b>pressure gauge</b>	Ø 63 mm, 0...*2 mbar, G $\frac{1}{4}$	MA6302-...*2
<b>mounting bracket</b>	made of steel	BW00-47



R4100



BW00-47



\*1 at 10 bar supply pressure and max. outlet pressure \*2 B6 = 0...60 mbar, C2 = 0...160 mbar, C3 = 0...250 mbar, C4 = 0...400 mbar