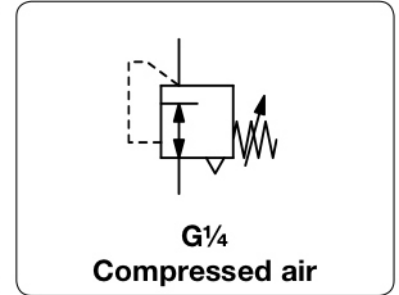


# R33 - Détendeur de pression, en ligne, pression de consigne réglable

## Pour protéger les outils, réduire la consommation, le bruit ...

<b>Description:</b>	Adjustable In-line regulator in compact design, available in 3 different pressure control ranges, featuring an outlet pressure tolerance of approx. $\pm 30\%$ .
<b>Application</b>	<ul style="list-style-type: none"> <li>• Reduction of supply pressure to protect associated components</li> <li>• Cost reduction through substantially reduced air consumption</li> <li>• Noise reduction and lifetime extension of tools due to lower inlet pressure</li> </ul>
<b>Medium</b>	compressed air
<b>Supply pressure</b>	max. 10 bar. The device is inlet pressure dependent (see diagram).
<b>Adjustment</b>	Select the pressure regulator according to the desired outlet pressure can be varied within that range
<b>Relieving function</b>	relieving
<b>Temperaturbereich</b>	0 °C to 60 °C
<b>Material</b>	Body: aluminium Elastomer: NBR/Buna-N

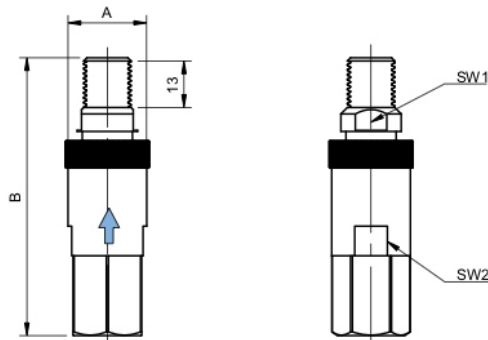


Dimensions				Flow-rate l/min <sup>-1</sup>	Supply pressure max. bar	Connection thread G	Pressure range bar	Order number
ØA	B	SW1	SW2					
mm	mm	mm	mm					

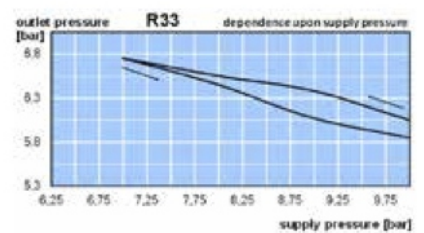
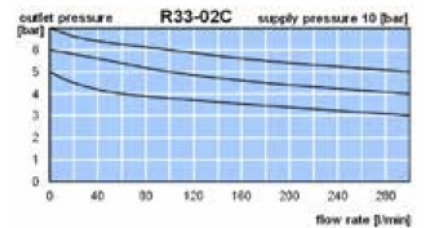
In-Line Pressure regulator					Supply pressure max. 10 bar	R33		
22	77	14	19	300	10	G1/4	1 ... 3	R33-02A
							3 ... 6	R33-02B
							5 ... 8	R33-02C



R33-02A



R33



\*1 at 10 bar pressure range and  $\Delta p = 2,0$  bar

\* Product group