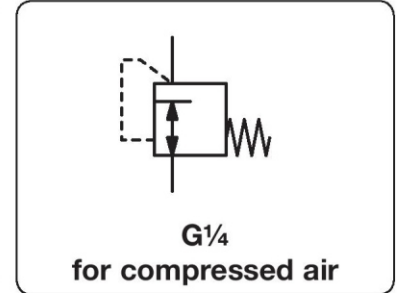


R13 - Régulateur de pression, en ligne, non réglable, consigne de 2 à 10 bar, G1/4"

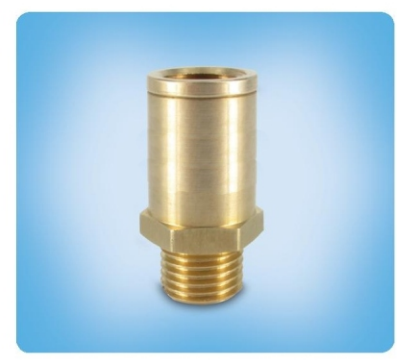
R13 - In-line pressure regulator, 2 to 10 bar, factory setted, G1/4 ported

Description	In-Line pressure regulator with factory-set outlet pressure, reducing from e.g. 10 bar to 5 bar. The regulator R13 is suited for basic pressure control only with an outlet pressure tolerance of $\pm 30\%$. The outlet pressure stated below is valid for 12 bar inlet pressure. For other inlet pressure please refer to the according item from the diagram.
Benefits	<ul style="list-style-type: none"> • Higher safety through lower pressure. Tools and equipment protected against pressure damages. • Cost reduction through substantially reduced air consumption. Longer service life. • Noise reduction for tools.
Media	compressed air or non-corrosive gases
Supply pressure	max. 15 bar
Adjustment	Select the pressure regulator according to the desired outlet pressure. The outlet pressure cannot be subsequently adjusted. This safeguards against tampering.
Relieving function	non-relieving, therefore not recommended for applications such as nailers
Temperature range	0 °C to 60 °C / 32 °F to 140 °F, for appropriately conditioned compressed air down to -30 °C / -22 °F
Material	Body: brass Elastomer: NBR/Buna-N, optionally FKM



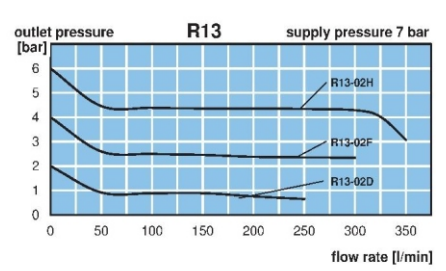
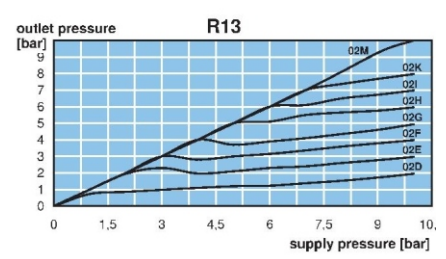
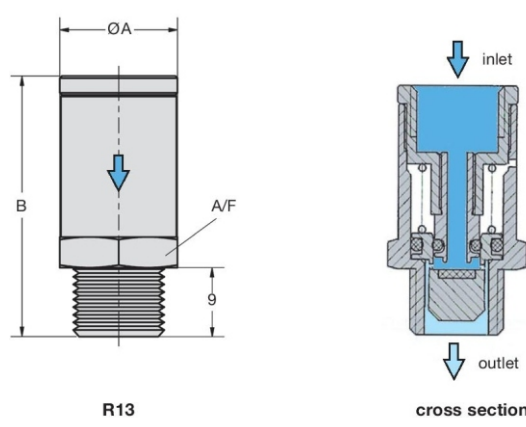
Dimensions			Flow	Supply	Connection	Outlet	Order
ØA	B	A/F	rate	pressure	thread	pressure	number
mm	mm	mm	l/min*1	max. bar	G	bar	

Basic accuracy regulator			P: max. 15 bar, non-relieving, outlet pressure accuracy $\pm 30\%$, made of brass			R13	
17	34	17	300	15	G1/4 ia	2 3 4 5 6 7 8 10	R13-02D R13-02E R13-02F R13-02G R13-02H R13-02I R13-02K R13-02M



Special options, add the appropriate letter

FKM elastomer for oxygen	specially cleaned, with oxygen grease not combineable with FKM elastomer	R13-02 . V R13-02 . 15
---------------------------------	---	---------------------------



*1 at 7 bar supply pressure, 6 bar outlet pressure and 2 bar pressure drop

