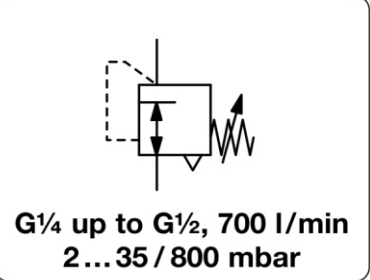


R110 - Régulateur basse pression à forte capacité de décompression, diaphragme à rouleau, bonne sensibilité et dimensions réduites

Description	Diaphragm regulator with small dimensions. Suitable for low pressure and high accuracy applications. It's special diaphragm ensure constant outlet pressure even with changing supply pressure and flow fluctuations.	
Media	compressed air or non-corrosive gases	
Recommendation	connection thread G½ for pressure range 0...35 / 140 / 280 mbar	
Supply pressure	max. 10 bar	
Accuracy	response sensitivity: < 0,2 mbar	Air consumption max. 2 l/min depending on outlet pressure
Adjustment	by handwheel with locknut	Relief capacity 14 l/min at 7 mbar above setpoint 70 mbar
Relieving function	relieving, optionally non-relieving	
Gauge port	¼"NPT on both sides of the body	
Mounting position	any	
Temperature range	0 °C to 90 °C / 32 °F to 194 °F, for appropriately conditioned compressed air down to -40 °C / -40 °F	
Material	Body: aluminium die-cast Inner valve: stainless steel and galvanised steel Elastomer: NBR/Buna-N, optionally FKM	



Dimensions			K _v -value	Flow rate	Connection thread	Pressure range	Order number
A	B	C					

Precision regulator for low pressure						supply pressure max. 10 bar, relieving, with constant bleed	R110
67	180	25	0.4	42	700	G¼	R110-020 R110-02A R110-02B R110-02C R110-02D
67	180	25	0.4	42	700	G½	R110-040 R110-04A R110-04B R110-04C R110-04D



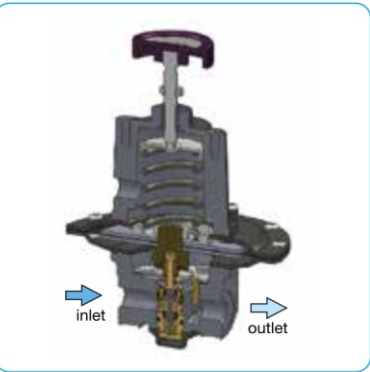
R110

Special options, add the appropriate letter

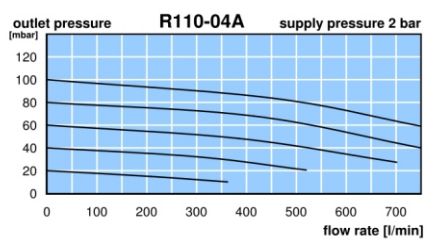
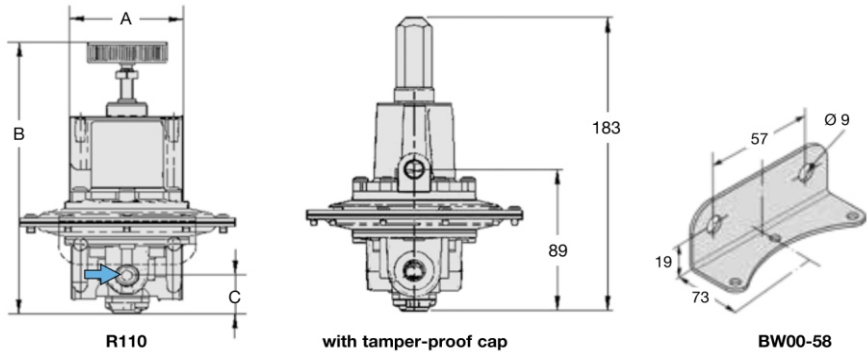
G¾	connection thread	R110-03 .
NPT	connection thread	R110-0 . .N
non-relieving	without constant bleed	R110-0 . .K
reduced bleeding	ca. 1 l/min	R110-0 . .X19
tapped exhaust	connection thread G¼	R110-0 . .X12
FKM elastomer		R110-0 . .V
tamper-proof cap	aluminium, adjustment by screwdriver, total height 183 mm	R110-0 . .T

Accessories, enclosed

pressure gauge	Ø 63 mm, 0... *2 mbar, G¼, capsule type	MA6302-... *2
	Ø 63 mm, 0...600 mbar, G¼, Bourdon tube	MA6302-C6
	Ø 63 mm, 0... 1 bar, G¼, Bourdon tube	MA6302-01
gauge connection	made of brass, adapter ¼" NPT to G¼ female	VP-0202N
mounting bracket	made of steel	BW00-58



cross-section



*1 at 7 bar supply pressure, 800 mbar outlet pressure and 40 mbar pressure drop
*2 B6 = 0...60 mbar, C2 = 0...160 mbar, C3 = 0...250 mbar, C4 = 0...400 mbar

