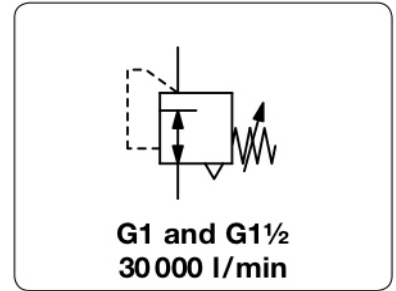


R102 - Régulateur de pression avec précision, très forte capacité en débit, avec consommation pour air comprimé et gaz neutres

Description	Provides precision regulation in high flow and high relief applications. A sensitive rolling diaphragm and balanced inner valve assure constant outlet pressure even with supply pressure and flow fluctuations.	
Media	compressed air or non-corrosive gases	
Supply pressure	max. 18 bar, optionally max. 35 bar	
Accuracy	response sensitivity: < 2 mbar	
Air consumption	0.5% of volume flow, max. 15 l/min	
Adjustment	by T-handle with locknut	
Relieving function	relieving, optionally non-relieving	
Relief capacity	1200 l/min at 1.5 bar outlet and 0.35 bar overpressure above setpoint	
Gauge port	G¼ for outlet pressure	Mounting position any
Temperature range	0 °C to 90 °C / 32 °F to 194 °F, for appropriately conditioned compressed air down to -40 °C / -40 °F	
Material	Body: aluminium die-cast Elastomer: NBR/Buna-N, optionally FKM at 35 bar version Inner valve: stainless steel, brass, aluminium and steel	



Dimensions			K _v -value	Flow rate	Connection thread	Pressure range	Order number
A	B	C					
mm	mm	mm	(m³/h)	m³/h*1	G	bar	

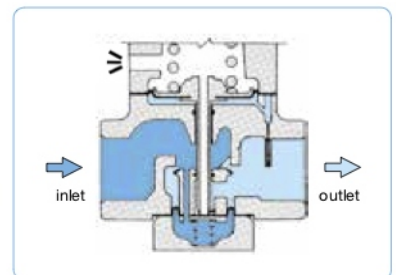
Precision pressure regulator				supply pressure max. 18 bar, relieving, with constant bleed		R102		
141	287	56	11.4	1680	28000	G1	0.001...0.7 0.03 ...2.0 0.07 ...4.0 0.14 ...7.0 0.14 ... 10	R102-081 R102-08A R102-08B R102-08C R102-08D
141	287	56	12.2	1800	30000	G1½	0.001...0.7 0.03 ...2.0 0.07 ...4.0 0.14 ...7.0 0.14 ... 10	R102-121 R102-12A R102-12B R102-12C R102-12D



R102

Special options, add the appropriate letter

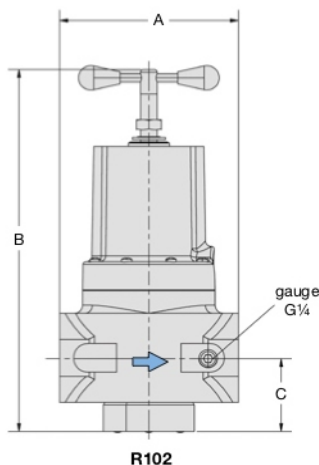
NPT	connection thread	R102-...N
non-relieving	and without constant bleed	R102-...K
supply pressure 35 bar	free of non-ferrous metal, FKM elastomer	R102-...X62
tamper-proof cap	aluminium, adjustment by screwdriver, total height 295 mm	R102-...T



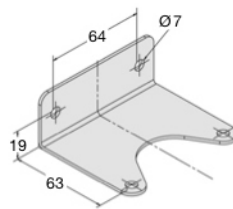
cross-section

Accessories, enclosed

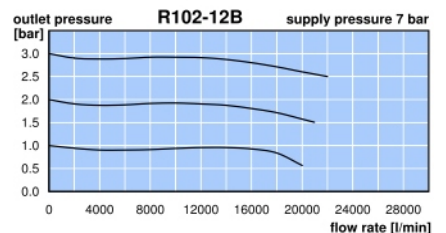
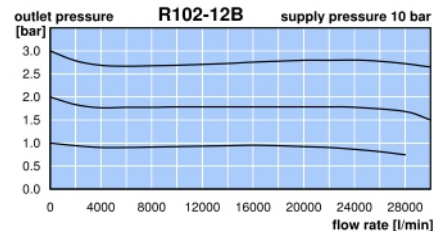
pressure gauge	Ø 63 mm, 0...*2 bar, G¼	MA6302-..*2
mounting bracket	made of steel	BW00-30



R102



BW00-30



*1 at 10 bar supply pressure and 2.8 bar outlet pressure
*2 01 = 0...1 bar, 02 = 0...2.5 bar, 04 = 0...4 bar, 10 = 0...10 bar