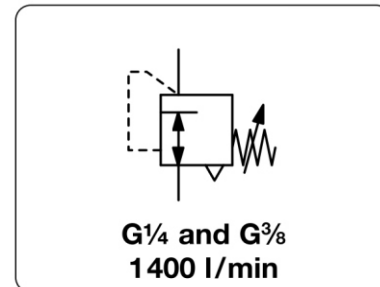


R100 - Régulateur de pression de précision, grand débit et forte capacité de décompression, sans consommation

Description	Regulator provides precision regulation in high flow and high relief applications.		
Media	compressed air or non-corrosive gases		
Supply pressure	max. 18 bar		
Accuracy	at supply pressure variation of 7 bar: < 7 mbar pressure deviation response sensitivity: < 2 mbar		
Air consumption	without constant bleed		
Adjustment	by handwheel with locknut		
Relieving function	relieving		
Relief capacity	200 l/min at 1.5 bar outlet and 0.35 bar overpressure above setpoint		
Gauge port	on both sides of the body, 1/4"NPT screw plugs supplied		
Temperature range	0 °C to 80 °C / 32 °F to 194 °F, for appropriately conditioned compressed air down to -40 °C / -40 °F		
Material	Body: zinc die-cast	Inner valve: aluminium, brass and neoprene	Elastomer: NBR/Buna-N



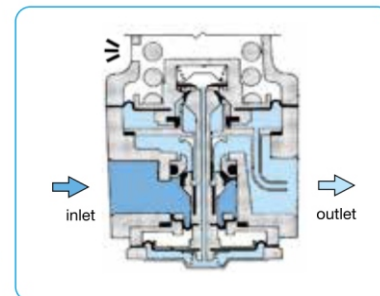
Dimensions			K _v -value (m ³ /h)	Flow rate m ³ /h*1 l/min*1	Connection thread G	Pressure range bar	Order number
A mm	B mm	C mm					

Precision pressure regulator							supply pressure max. 18 bar, relieving, without constant bleed	R100
54	129	25	0.73	78	1300	G ¹ / ₄	0.03...0.7	R100-021
							0.03...2.0	R100-02A
							0.07...4.0	R100-02B
							0.14... 10	R100-02C
54	129	25	0.78	84	1400	G ³ / ₈	0.03...0.7	R100-031
							0.03...2.0	R100-03A
							0.07...4.0	R100-03B
							0.14... 10	R100-03C



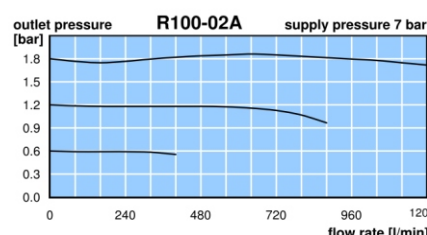
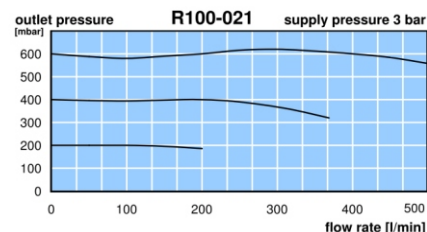
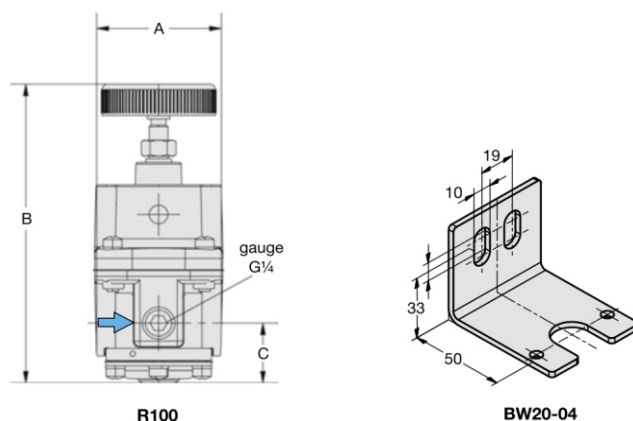
Special options, add the appropriate letter

NPT	connection thread	R100-0. . N
tamper-proof cap	aluminium, adjustment by screwdriver, total height 139 mm	R100-0. . T



Accessories, enclosed

pressure gauge	Ø 50 mm, 0...*2 bar, G ¹ / ₄	MA5002- . . *2
gauge connection	made of brass, adapter 1/4" NPT - G ¹ / ₄ i	AM-06
mounting bracket	made of steel, including mounting screws	BW20-04



*1 at 7 bar supply pressure and 1.4 bar outlet pressure
*2 01 = 0...1 bar, 02 = 0...2.5 bar, 04 = 0...4 bar, 10 = 0...10 bar