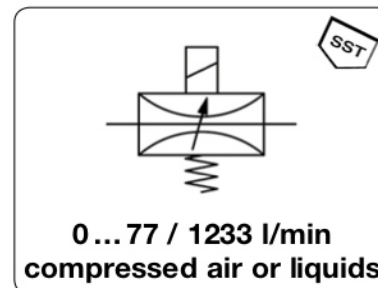


PVE - Régulation proportionnelle de débit, commande 0/10V ou 4/20 mA, pour air, vide et liquides, en acier inoxydable

Description	Compact positioner with analogue control. Compressed air for remote control necessary. The stroke is made proportional to the flow through the parabolic contour of the piston. The valve shuts tight and is of anti-water hammer design.	
Media	compressed air, vacuum up to 10 ⁻² mbar or liquids up to viscosity of max. 600 cST (mm ² /s)	
Control	pneumatic: lubricated, unlubricated and 50 µm filtered compressed air, 4... 8 bar, port G ³ / ₄ electrical: 0-10 V, optionally 4-20 mA, supply 24 V DC ± 10%, power consumption 150 mA/3.6 W analog position feedback signal 0-10 V / 4-20 mA (after automatic balance)	
Control element	2-port/2-way valve, NC (normally closed) as standard, as option 3-port/2-way valve for mixing different media, with standard piston cable gland, optionally M12	
Electrical connection	any	
Mounting position	any	
Linearity / Hysteresis	< 2% FS	
Failsafe	valve closes (NC) in the event of voltage failure, optionally outlet fail freeze feature	
Temperature range	Ambient: 0 °C to 50 °C / 32 °F to 122 °F Medium: -10 °C to 180 °C / 14 °F to 356 °F	
Material	Control valve body: bronze, optionally SST 316L Cone seal: PTFE Proportional valve body: aluminium, PA and FV	
	Protection Class	IP 66
	Repeatability	< 1.0% FS



Dimensions			Nominal	K _v -	Supply	Flow rate		Connection	Order
A	B	Ø*1	size	value	max.	water	air	thread	number
mm	mm	mm	DN	(m ³ /h)	bar	l/min	l/min	G	

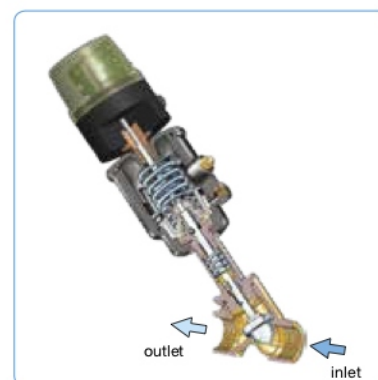
Volumenstromregler				2/2-Wege, NC, Bronze, Steuerdruck 4 ... 8 bar, für Luft oder Wasser, 0-10 V, 24 V DC, failsafe				PVE		
65	155	63	15	4.6	10	0... 14	5 000	G ¹ / ₂	PVE1-04B	
75	185	63	20	7.1	16	0... 118	7 700	G ³ / ₄	PVE1-06C	
90	209	90	25	15	16	0... 250	16 250	G1	PVE1-08D	
110	246	90	32	21	12	0... 350	22 750	G ¹ / ₄	PVE1-10D	
110	298	125	32	22	16	0... 367	23 800	G ¹ / ₄	PVE1-10E	
120	245	63	40	29	4	0... 483	31 400	G ¹ / ₂	PVE1-12C	
120	262	90	40	29	8	0... 483	31 400	G ¹ / ₂	PVE1-12D	
120	314	125	40	44	16	0... 733	47 600	G ¹ / ₂	PVE1-12E	
150	259	63	50	40	2	0... 667	43 300	G2	PVE1-16C	
150	276	90	50	40	6	0... 667	43 300	G2	PVE1-16D	
150	328	125	50	66	10	0... 1 100	71 500	G2	PVE1-16E	
190	300	90	65	68	2	0... 1 133	73 600	G ² / ₂	PVE1-20D	
190	352	125	65	74	6	0... 1 233	80 000	G ² / ₂	PVE1-20E	



**PVE1
with 2-port/2-way valve**

Special options, add the appropriate letter

- | | | |
|-------------------------------|--|-----------|
| 3-port/2-way valve | for mixing different media, bronze version only | PVE3-... |
| fail freeze | if supply voltage fails, outlet pressure will be frozen | PVE...3 |
| SST body | stainless steel 316L, material no. 1.4401 | PVE...S |
| 4-20 mA | input signal | PVE...I |
| for oxygen *2 | specially cleaned, with oxygen grease, for G ¹ / ₂ to G2 | PVE...15 |
| cascade control | double loop, 0-10 V | PVE...KU |
| | double loop, 4-20 mA | PVE...KI |
| | double loop, frequency input | PVE...KF |
| electr. connection M12 | with coupling socket | PVE...M12 |



cross section



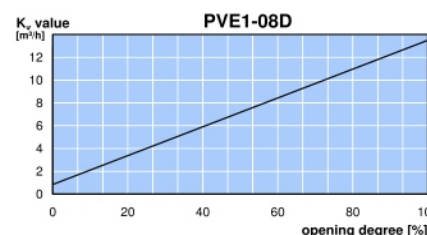
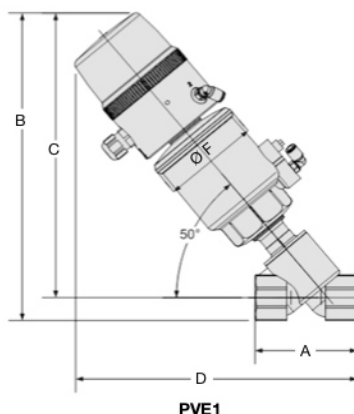
**parabolic piston enables stroke-proportional
K_v value change**

PVE with regulator control	
1	24 V DC supply voltage
2	GND (earth) supply
3	+ setpoint (0-10 V / 4-20 mA)
4	GND (earth) setpoint
5	
6	position feedback
7	+24 V DC ON/OFF output signal

PVE with cascade control	
1	24 V DC supply voltage
2	GND (earth) supply
3	+ setpoint (0-10 V / 4-20 mA)
4	GND (earth) setpoint
5	external signal input
6	
7	+24 V DC ON/OFF output signal

connecting plan

Ø head*1	thread	C	D	ØF
50 mm	½	213	212	69
63 mm	¾	242	245	85
	1½	287	294	85
	2	296	319	85
90 mm	1	261	267	118
	1¼	293	306	118
	1½	304	313	118
	2	313	337	118
125 mm	2½	329	369	118
	1¼	445	354	156
	1½	356	361	156
125 mm	2	365	385	156
	2½	380	417	156



*1 Ø of pilot head

*2 max. 15 bar operating pressure and 60 °C / 140 °F media temperature