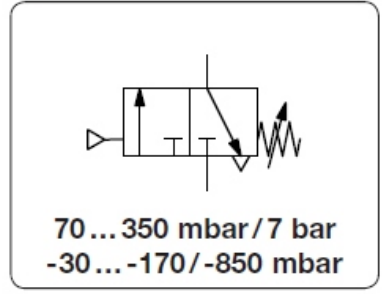


# PP / VP700 - Pressostat / Vacuostat Pneumatique

## PP / VP700 - Pressure and Vacuum Switch with Pneumatic Output

<b>Description</b>	Pilot-actuated pressure valve with precisely adjustable pilot setpoint. Perfect for applications which require intrinsic safety, pneumatic sequencing or pressure relief. Valves are normally opened or closed. The switch complies with FDA regulations and is suitable for water and food products.	
<b>Media</b>	5 µm filtered compressed air	
<b>Pressure valve</b>	3-port/2-way air-assisted servo valve with exhaust to atmosphere, NO or NC, made of nylon	
<b>Accuracy</b>	Supply pressure:	1.4...8 bar, untapped exhaust
	Air consumption:	max. 0.3 l/min at 2 bar supply pressure or max. 0.7 l/min at 7 bar
	Pneumatic connection:	quick connector for hose external diameter of 4 mm (5/32")
	Flow rate:	70 l/min at 7 bar, nominal size DN 0.2, K <sub>v</sub> = 0.05
	Switching time:	64 ms at 6 bar supply pressure
	Pressure switch:	at supply pressure variation of 0.7 bar: < 7 mbar pressure deviation
	Vacuum switch:	at supply pressure variation of 0.3 bar: < 3 mbar pressure deviation
	Repeatability:	± 2% FS
<b>Temperature range</b>	4 °C to 60 °C / 40 °F to 140 °F	
<b>Material</b>	Body: polysulphone	<b>Mounting position</b> any
	Diaphragm: polyurethane	Spring: stainless steel
		Media non-contact parts: nylon, carbon fibre nylon, acetal



Description	Supply pressure of switching valve	Hysteresis typical	Hysteresis max.	Over-pressure max. bar	Measurement range bar	Order number
-------------	------------------------------------	--------------------	-----------------	------------------------	-----------------------	--------------

Switch with pneumatic output, NO		1/8" NPT male, supply pressure 1.4...8		PP / VP700			
	pressure switch	1.4...8 bar	15	30	2	0.07 ... 0.35	PP700- 5PT
			20	40	4	0.07 ... 1.0	PP700- 15PT
		NO	20	70	4	0.07 ... 2.1	PP700- 30PT
			35	140	8	0.20 ... 4.2	PP700- 60PT
		50	240	8	0.35 ... 7.0	PP700-100PT	
	vacuum switch	1.4...8 bar	15	35	-1	-0.03 ... -0.17	VP700- 5PT
			20	40	-1	-0.03 ... -0.34	VP700- 10PT
		NO	35	70	-1	-0.07 ... -0.85	VP700- 30PT

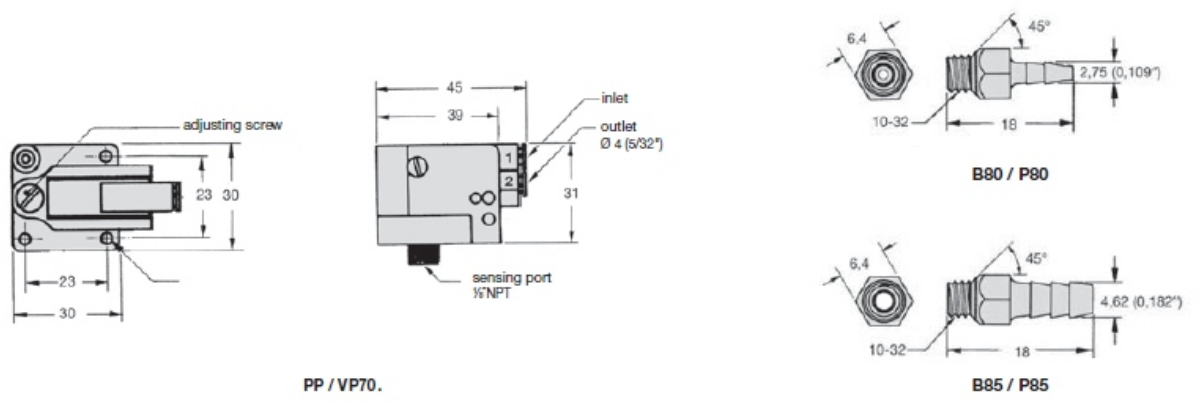


Switch with pneumatic output, NC		1/8" NPT male, supply pressure 1.4...8		PP / VP701			
	pressure switch	1.4...8 bar	15	30	2	0.07 ... 0.35	PP701- 5PT
			20	40	4	0.07 ... 1.0	PP701- 15PT
		NC	20	70	4	0.07 ... 2.1	PP701- 30PT
			35	140	8	0.20 ... 4.2	PP701- 60PT
		50	240	8	0.35 ... 7.0	PP701-100PT	
	vacuum switch	1.4...8 bar	15	35	-1	-0.03 ... -0.17	VP701- 5PT
			20	40	-1	-0.03 ... -0.34	VP701- 10PT
		NC	35	70	-1	-0.07 ... -0.85	VP701- 30PT



### Special options, add / change the appropriate letter or number

flush mounting	barbed fitting made of nylon,	Ø 1/8", Ø 2 mm	.P70.-... FMB80
panel mounting	barbed fitting made of nylon,	Ø 1/8", Ø 2 mm	.P70.-... PMB80
manifold mounting			.P70.-... MM
barbed fitting	for FM and PM,	nylon, Ø 1/8", Ø 2 mm	.P70.-... B80
		nylon, Ø 1/8", Ø 4 mm	.P70.-... B85
		polysulphone, Ø 1/8", Ø 2 mm	.P70.-... P80
		polysulphone, Ø 1/8", Ø 4 mm	.P70.-... P85
free of grease and oil	specialy cleaned, suitable for oxygen		.P70.-... L



\*1 only output signal in the absence of input signal (positive pressure, vacuum)  
\*2 no output signal in the absence of input signal (positive pressure, vacuum)

