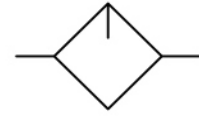


LD - Lubrificateur, huileur, graisseur pour air comprimé, 30 bar, raccordement de G1/8" à G2"

Description	Good value zinc die-cast compressed air lubricator of solid design lubricating in proportion to flow rate. Wall mounting through two drilled holes in the body. Suitable for compressed air or non-corrosive gases. metal version with or without sight glass
Bowl	
Operating pressure	max. 16 bar for metal bowl with sight glass max. 30 bar for metal bowl without sight glass
Temperature range	-10 °C to 50 °C / 14 °F to 122 °F for G $\frac{1}{8}$ to G $\frac{1}{2}$ -20 °C to 60 °C / -4 °F to 140 °F for metal bowl with sight glass, for G1 to G2 -30 °C to 80 °C / -22 °F to 176 °F for metal bowl without sight glass, for all sizes
Material	Body: zinc die-cast at G $\frac{1}{8}$ and G $\frac{1}{4}$, aluminium at G $\frac{3}{8}$ to G2 Bowl: polyurethane or zinc die-cast Elastomer: NBR/Buna-N



G $\frac{1}{8}$ up to G2

Dimensions			Bowl	Flow	Operating	Connection	Order
A	B	C	Design	rate	pressure	thread	number
mm	mm	mm	made of/with	m 3 /h*1	l/min*1	max. bar	G

Lubricator series "D"

								LD	
40	161	115	metal/sight glass	0.05	36	600	16	G $\frac{1}{8}$	LD-01M
			metal	0.05			30		LD-01N
40	161	115	metal/sight glass	0.05	40	660	16	G $\frac{1}{4}$	LD-02M
			metal	0.05			30		LD-02N
64	215	137	metal/sight glass	0.18	144	2400	16	G $\frac{3}{8}$	LD-03M
			metal				30		LD-03N
64	215	137	metal/sight glass	0.18	156	2600	16	G $\frac{1}{2}$	LD-04M
			metal				30		LD-04N
130	248	176	metal/sight glass	0.50	420	7000	16	G $\frac{3}{4}$	LD-06M
			metal				30		LD-06N
130	248	176	metal/sight glass	0.50	480	8000	16	G1	LD-08M
			metal				30		LD-08N
241	248	176	metal/sight glass	0.50	540	9000	16	G1 $\frac{1}{4}$	LD-10M
			metal				30		LD-10N
241	248	176	metal/sight glass	0.50	600	10000	16	G1 $\frac{1}{2}$	LD-1AM
			metal				30		LD-1AN
215	316	223	metal/sight glass	1.20	1620	27000	16	G1 $\frac{1}{2}$	LD-12M
			metal				30		LD-12N
215	316	223	metal/sight glass	1.20	1680	28000	16	G2	LD-16M
			metal				30		LD-16N



LD-01/-02



LD-03/-04



LD-06/-08

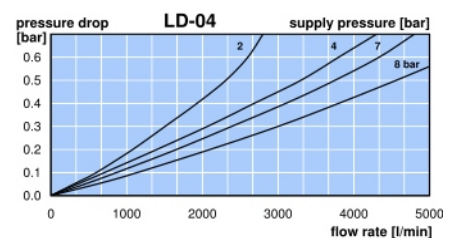
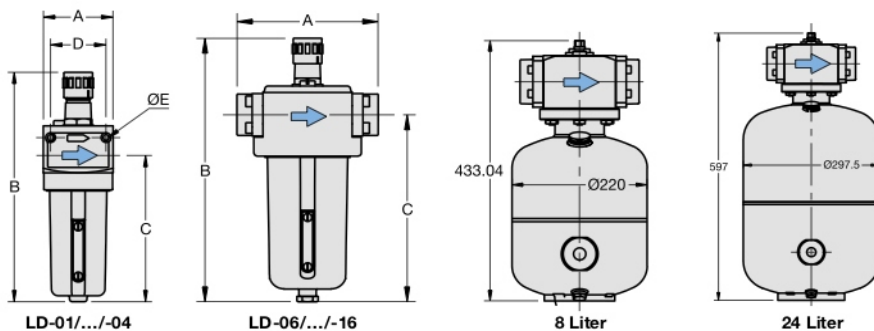


LD-12/-16

Special options, add the appropriate letter

8 litre bowl	made of stainless steel, max. 30 bar	for G1 $\frac{1}{2}$ (12) and G2	LD- 1.M08
24 litre bowl	made of stainless steel, max. 30 bar	for G1 $\frac{1}{2}$ (12) and G2	LD- 1.M24

Type	D	Ø E
LD-01/02	30	4.5
LD-03/04	51	5.5



*1 at 7 bar operating pressure and 0.33 bar pressure drop

