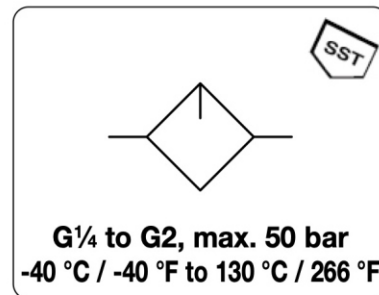


# L3000, lubrificateur pour réseau d'air comprimé, en acier inoxydable 316L

<b>Description</b>	Lubricator for compressed air with bowl without sight glass, extremely robust, with manual adjustment of oil drip rate.
<b>Bowl</b>	stainless steel version without sight glass
<b>Operating pressure</b>	max. 50 bar
<b>Temperature range</b>	0 °C to 80 °C / 32 °F to 176 °F for NBR/Buna-N, 0 °C to 130 °C / 32 °F to 266 °F for high temperature version for appropriately conditioned air down to -20 °C / -4 °F, or low temperature version down to -40 °C / -40 °F
<b>Material</b>	Body: stainless steel 316L, material no. 1.4404 Bowl: stainless steel 316L, material no. 1.4404 Elastomer: FKM Inner valve: stainless steel 316L, material no. 1.4404



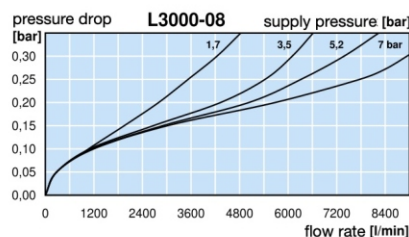
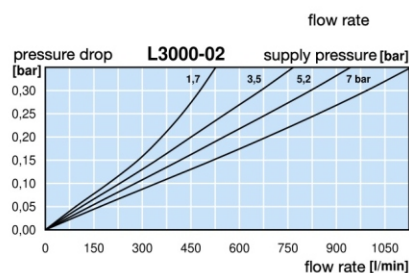
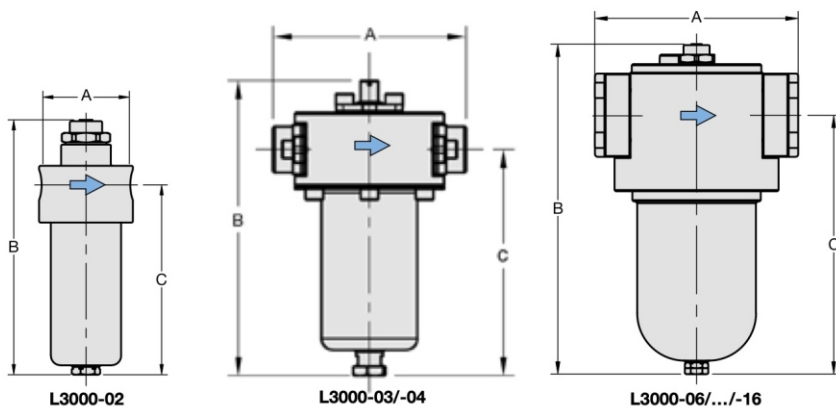
Dimensions			Bowl capacity l	Flow rate		Operating pressure max. bar	Connection thread G	Order number
A	B	C		m <sup>3</sup> /h*1	l/min*1			
mm	mm	mm						

Lubricator			operating pressure max. 50 bar				L3000	
64	174	130	0.14	54	900	50	G <sup>1</sup> / <sub>4</sub>	L3000-02
109	161	121	0,20	144	2400	50	G <sup>3</sup> / <sub>8</sub>	L3000-03
				144	2400		G <sup>1</sup> / <sub>2</sub>	L3000-04
137	201	168	0.50	480	8000	50	G <sup>3</sup> / <sub>4</sub>	L3000-06
				480	8000		G <sub>1</sub>	L3000-08
241	201	168	0.50	480	8000	50	G <sup>1</sup> / <sub>4</sub>	L3000-10
				480	8000		G <sup>1</sup> / <sub>2</sub>	L3000-1A
171	278	218	1.00	720	12000	50	G <sup>1</sup> / <sub>2</sub>	L3000-12
				720	12000		G <sub>2</sub>	L3000-16



## Special options, add the appropriate letter

<b>NPT</b>	connection thread		L3000-.. N
<b>down to -40 °C / -40 °F</b>	low temperature version	from G <sup>1</sup> / <sub>4</sub> on	L3000-.. X51
<b>up to 130 °C / 266 °F</b>	high temperature version	from G <sup>1</sup> / <sub>4</sub> on	L3000-.. X54
<b>flange connection</b>	see end of the chapter / flanges		L3000-.. F.



\*1 at 7 bar operating pressure and 0.33 bar pressure drop