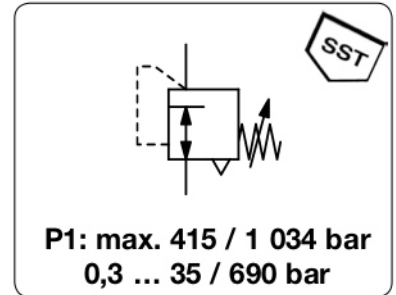


# HP306 - Régulateur très haute pression 690 à 1000 bar, compatible air, gaz et liquides, également avec l'oxygène, joints NBR ou FKM, corps inox 316

<b>Description</b>	High pressure regulator, piston operated, made of stainless steel, with high sensitivity, excellent accuracy and reliability.		
<b>Media</b>	compressed air and non-corrosive gases or liquids (non-relieving version)		
<b>Supply Pressure</b>	max. 690 bar optionally 415 bar or 1034 bar		
<b>Accuracy</b>	at supply pressure variation of 7 bar: < 100 mbar		
<b>Adjustment</b>	by black plastic adjustment dial		
<b>Relieving Function</b>	standard relieving, optional non-relieving		
<b>Gauge Ports</b>	no ports, optional 1/4" NPT for inlet and outlet pressure, shifted by 60°		
<b>Temperature Range</b>	-40° to 75°C / -40°F to 167°F		
<b>Material</b>	Body: stainless steel 316	Mounting position: any	
	Seal: NBR optional FKM	Spring Cage: stainless steel 300	
	Valve Seat: Vespel	Filter: 40 µm, stainless steel 300, brass by option U	
	Inner Valve: stainless steel 300	Relieving Valve: CTFE	



Dimensions			K <sub>v</sub> -value	Flow rate	Connection thread	Pressure range	Order Number
A	B	ØC					
mm	mm	mm	(m³/h)	m³/h*1	l/min*1	NPT	bar

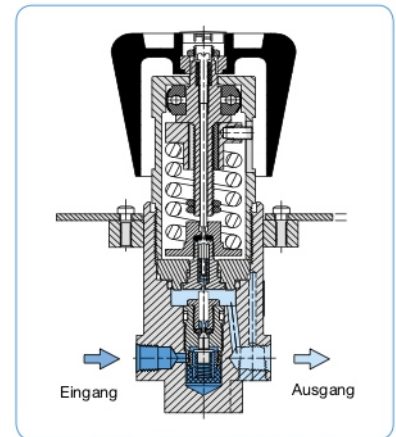
High Pressure Regulator 690 bar							relieving, compressed air, stainless steel, NBR	HP306
55	175	19	0,05	210	3600	1/4" NPT	0,3 ... 35	HP306-035
				230	3900	1/4" NPT	0,3 ... 55	HP306-055
				280	4800	1/4" NPT	0,7 ... 105	HP306-105
				320	5400	1/4" NPT	1,0 ... 175	HP306-175
				390	6500	1/4" NPT	1,7 ... 280	HP306-280
				420	7000	1/4" NPT	3,4 ... 415	HP306-415
				450	7500	1/4" NPT	14 ... 690	HP306-690



HP306, accessory: mounting bracket

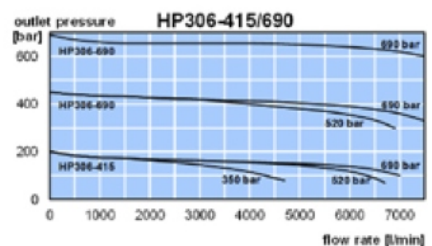
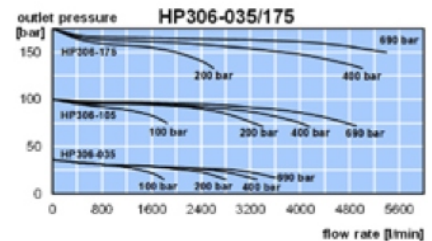
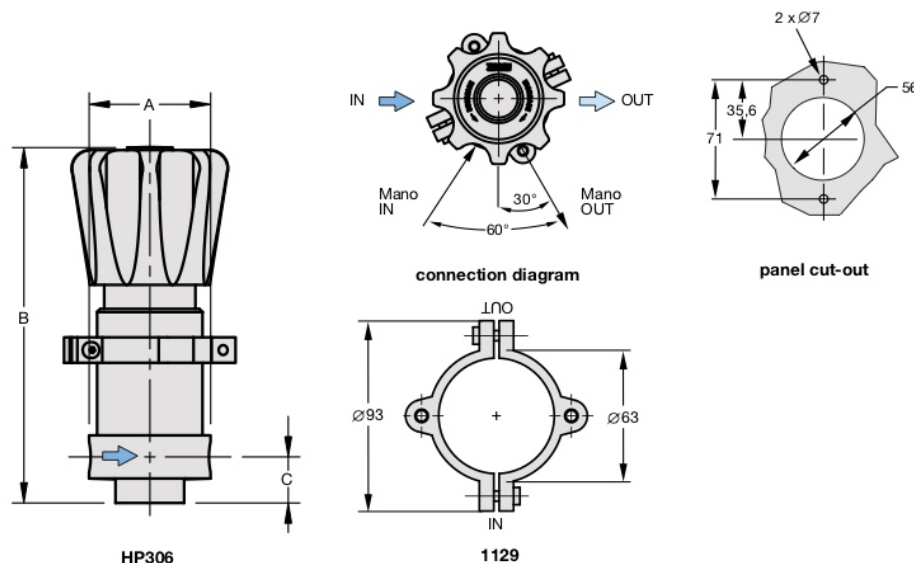
## Special options, add the appropriate letter

3/8"NPT	connection thread		HP306-...03
1/2"NPT	connection thread not possible by option S with FKM elastomer		HP306-...04
non-relieving			HP306-...VK
FKM elastomer			HP306-...V
for oxygen	special cleaned, P1 < 200 bar		HP306-...15
inlet pressure 415 bar	brass up to pressure range 3,4 ... 415		HP306-...U
inlet pressure 1034 bar	stainless steel		HP306-...S
tapped exhaust	with FKM elastomer, 1/4"NPT		HP306-...VX12
gauge port	1/4"NPT for inlet and outlet		HP306-...M
gauge brass	inlet side MHM	outlet side	HP306-...MGM
gauge stainless steel	inlet side MH	outlet side	HP306-...MG



## Accessories, enclosed

mounting bracket made of aluminium 1129



\*1 at 690 bar inlet pressure, see diaphragm