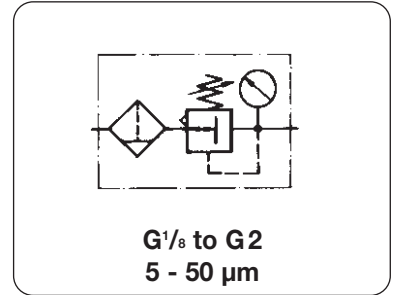


Description	Low-cost filter pressure regulator of solid design, with diaphragm-operated system. Two boreholes in the body for wall-mounting.	
Filter element	5 µm, 20 µm and 50 µm, of propylene 0.1 µm coalescing at 99.99% separation efficiency	Gauge ports G ¹ / ₈ , G ¹ / ₄ only on BD-01
Bowl	of polyurethane up to G ¹ / ₄ , up to 12 bar of zinc die-casting, with or without sight glass, up to 16 bar or 20/30 bar	
Drain	manual: up to 30 bar semi-automatic / pressure-activated: up to 30 bar	autodrain: up to 16 bar
Operating pressure	max. 12 bar in plastic bowl max. 20 bar in metal bowl for G ¹ / ₈ a. G ¹ / ₄	max. 16 bar in metal bowl with sight glass max. 30 bar in metal bowl for G ³ / ₈ to G ²
Temperature range	-10 °C to 50 °C / -14 °F to 130 °F in plastic bowl -20 °C to 60 °C / -4 °F to 140 °F in metal bowl	
Materials	Body: zinc die-casting up to G ³ / ₈ , aluminium as from G ¹ / ₂ Bowl: zinc die-casting or polyurethane	

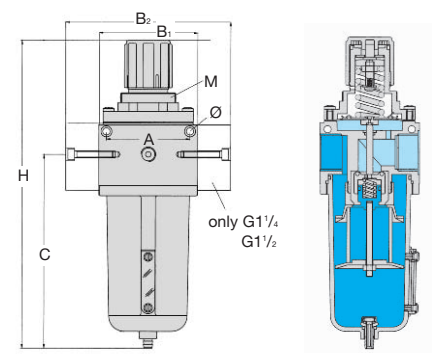


Dimensions			Bowl	Flow	Pressure	Drain	Filter	Connection	Order
B	H	C	design	rate	P ₁		element	thread	number
mm	mm	mm	*1	m ³ /h	l/min*3	max. bar	µm	G	

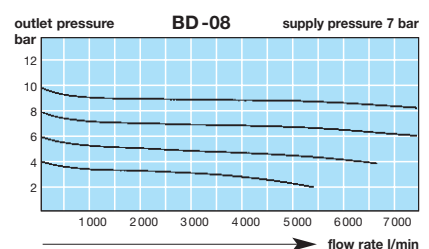
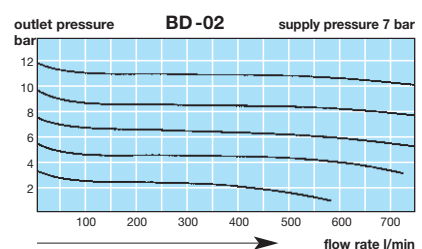
Filter pressure regulator										0.8 - 8 bar, without gauge, semi-automatic drain	BD
40	198	125	L	45	27	450	12	S	20 µm	G ¹ / ₈	BD-01L
40	164	91	K	30			12	S			BD-01K
40	198	125	M	45			16	S			BD-01M
40	198	125	N	45			30	M			BD-01N
40	198	125	L	45	30	500	12	S	20 µm	G ¹ / ₄	BD-02L
40	164	91	K	30			12	S			BD-02K
40	198	125	M	45			16	S			BD-02M
40	198	125	N	45			30	M			BD-02N
64	250	146	M	200	108	1800	16	S	50 µm	G ³ / ₈	BD-03M
64	250	146	N	200			30	M			BD-03N
64	250	146	M	200	108	1800	16	S	50 µm	G ¹ / ₂	BD-04M
64	250	146	N	200			30	M			BD-04N
90	282	172	M	500	300	5000	16	S	50 µm	G ³ / ₄	BD-06M
90	282	172	N	500			30	M			BD-06N
90	282	172	M	500	330	5500	16	S	50 µm	G ¹	BD-08M
90	282	172	N	500			30	M			BD-08N
150	282	172	M	500	390	6500	16	S	50 µm	G ¹ / ₂	BD-1AM
150	282	172	N	500			30	M			BD-1AN
210	540	450	M	1000	960	16000	16	S	50 µm	G ¹ / ₂	BD-12M
210	540	450	N	1000			30	M			BD-12N
210	540	450	M	1000	1020	17000	16	S	50 µm	G ²	BD-16M ⁰
210	540	450	N	1000			30	M			BD-16N



Special options		add the appropriate letter	
gauge	not mounted, Ø50 bis G ¹ / ₂	otherwise Ø63	G BD-... G
5 µm filter			H BD-... H
autodrain	by floater	from G ³ / ₈	R BD-... R
pressure range	0.2-1.5 bar A; 0.3-3 bar B; 0.5-5 bar C; 1.5-15 bar		E BD-... E
mounting bracket	SAR-RD1 for BD-01/-02	SAR-RD2 for BD-03/-04	X BD-... X
mounting bracket	SAR-RD3 for BD-06/-12		X BD-... X



thread	M	Ø	A
G ¹ / ₈ , G ¹ / ₄	M30x1.5	4.5	30
G ³ / ₈ , G ¹ / ₂	M50x1.5	5.5	51
G ³ / ₄ , G ¹ / ₂	M50x1.5	6.5	76



*1 K: plastic bowl
L: plastic bowl, long
M: metal bowl with sight glass
N: metal bowl without sight glass

*2 S: semi-automatic
M: manual

*3 7 bar supply pressure and Δp = 0,33 bar

For your information:	1 bar: 14.5 psi 1 psi: 0.069 bar	1 l/min: 0.035 scfm 1 scfm: 28.3 l/min	1 mm: 0.039 inch 1 inch: 25.4 mm	Pressure gauge: Please see chapter "Gauges"
------------------------------	-------------------------------------	---	-------------------------------------	--

Order example:
BD-04M