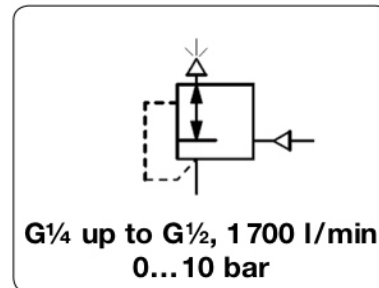


DB208 - Déverseeur de pression, à commande pneumatique

Description	Diaphragm back pressure regulators protect pneumatic devices against overpressure. If the pressure exceeds the setpoint, the pressure valve exhausts to the atmosphere until the pressure level is below the setpoint. It is advisable to select the pressure range as near as possible to the maximum setpoint.		
Media	compressed air or non-corrosive gases		
Overpressure	max. 17 bar	Pilot pressure	0 ... 10 bar
Accuracy	1% at 7 bar pilot pressure	Response sensitivity	1 mbar
Adjustment	depending on the level of signal pressure the response value will change accordingly		
Gauge port	G $\frac{1}{4}$ on both sides of the body , screw plugs supplied	Mounting position	any
Temperature range	0 °C to 90 °C / 32 °F to 194 °F , for appropriately conditioned compressed air down to -40 °C / -40 °F		
Material	Body: aluminium die casting O-rings: NBR/Buna-N, optionally FKM	Elastomer:	NBR/Buna-N Inner valve: brass and zinc-plated steel



Dimensions			Relief capacity	Over-pressure	Adjustment range	Connection thread	Order number
A	B	C	l/min*1	max. bar	bar	G	
mm	mm	mm					

Back pressure regulator, pilot-operated

			pilot pressure	0...10 bar	DB208		
			overpressure	max. 17 bar			
76	98	24	1700	17	0...10	G $\frac{1}{4}$	DB208-02
						G $\frac{3}{8}$	DB208-03
						G $\frac{1}{2}$	DB208-04



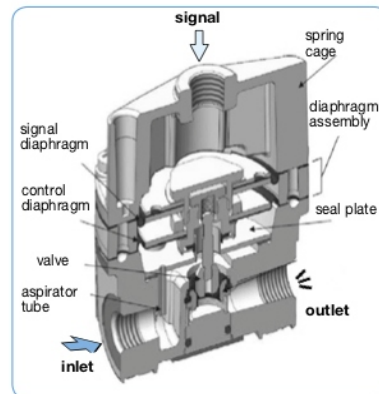
DB208

Special options, add the appropriate letter

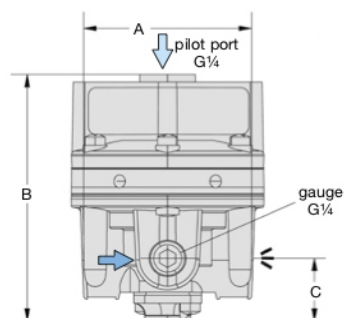
NPT	connection thread	DB208-0.N
FKM elastomer		DB208-0.V

Accessories, enclosed

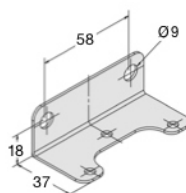
pressure gauge	Ø 50 mm, 0...*2 bar, G $\frac{1}{4}$	MA5002-...*2
mounting bracket	made of steel	BW00-34



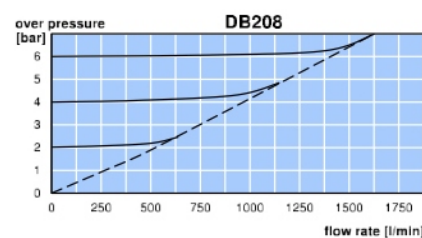
cross-section



DB208



BW00-34



*1 at 7 bar inlet pressure and open outlet

*2 02 = 0...2.5 bar, 04 = 0...4 bar, 06 = 0...6 bar, 10 = 0...10 bar