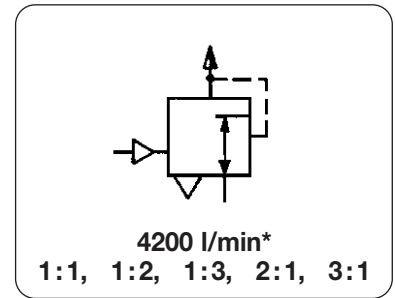


<b>Description</b>	Precision volume booster designed to convert a low-flow control signal to a higher flow outlet. With diaphragm ratio configuration to meet a broad range of signal-to-outlet requirements. Signal to outlet pressure in several ratios available. Ideal applications: rapid valves, cylinder movements and operation of air/oil/hydraulic systems.		
<b>Supply pressure</b>	max. 17 bar / 250 psi	<b>Outlet pressure:</b>	max. 10 bar / 150 psi
<b>Flow capacity</b>	4200 l/min / 50 scfm	<b>Sensitivity:</b>	< 2.5 mbar / 1" W.C.
<b>Exhaust capacity</b>	1100 l/min / 40 scfm at 0.35 bar downstream pressure / 5 psi above set pressure		
<b>Effect of supply change</b>	outlet pressure change < 7 mbar / 0.1 psi for 7 bar / 100 psi supply fluctuation		
<b>Temperature range</b>	-20 °C to 70 °C / -4 °F to 160 °F		
<b>Materials</b>	Body: aluminium die-casting Diaphragm: NBR (Buna N) and Dacron, convoluted	Inner valve: brass and aluminium	



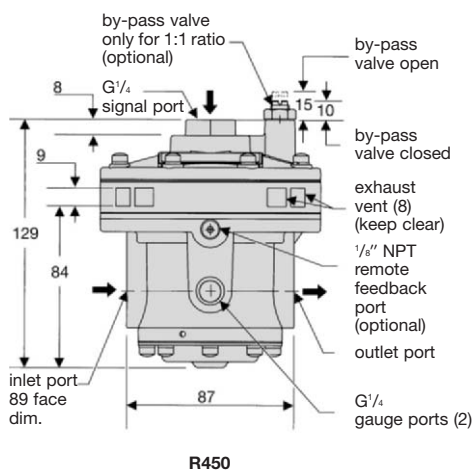
Dimensions	Supply pressure	Connection	Flow rate	Signal pressure	Ratio signal	Order number
height	Ø	thread	rate	pressure	signal	number
mm	mm	G	l/min*1	max. bar	signal : outlet	

Booster with ratio			pressure range: 0 ... 10 bar K <sub>v</sub> -value: 2.16 (m³/h), without air consumption			R450	
129	114	17	G <sup>1/2</sup>	4000	10	1 : 1	R450-04I
					5	1 : 2	R450-04K
					3.3	1 : 3	R450-04L
					10	2 : 1	R450-04M
					10	3 : 1	R450-04N
129	114	17	G <sup>3/4</sup>	4200	10	1 : 1	R450-06I
					5	1 : 2	R450-06K
					3.3	1 : 3	R450-06L
					10	2 : 1	R450-06M
					10	3 : 1	R450-06N

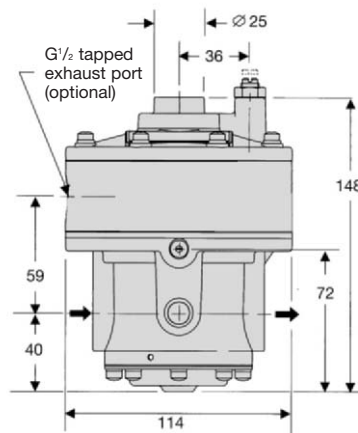


R450-04I

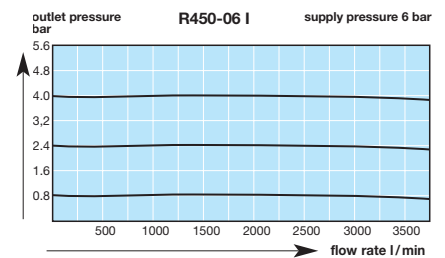
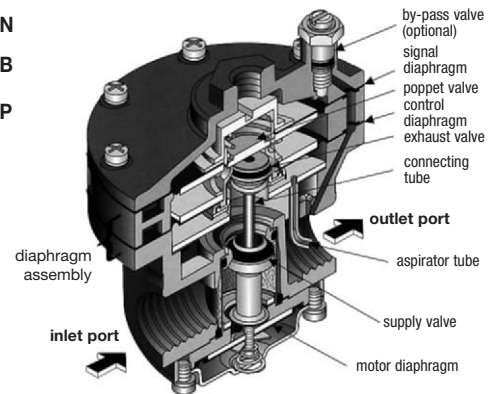
Special options	add the appropriate letter	Accessories
tapped exhaust		E R450-0. . E
silicone-free	for paint industry	S R450-0. . S
NPT thread		N R450-0. . N
by-pass valve	with restrictor only for ratio 1:1	B R450-0. . B
external feedback		P R450-0. . P



R450



R450



\* at 7 bar supply pressure and 1.4 bar outlet pressure

<b>For your information:</b>	1 bar: 14.8 psi	1 l/min: 0.035 scfm	1 mm: 0.039 inch
	1 psi: 0.069 bar	1 scfm: 28.3 l/min	1 inch: 25.4 mm

**Order example:**  
R450-04 I