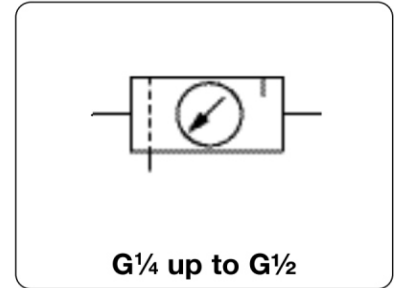


C510FRL/C511FRL/C512FRL - Système FRL pour traitement de l'air comprimé

Design compact et débit élevé, G1/4" à G1/2", 17 bar

Description	Service unit, consisting of regulator, filter and oiler with pressure gauge, in small design with high flow rate.		
Media	compressed air or non-corrosive gases		
Supply pressure	max. 17 bar		
Adjustment	with lockable adjustment knob for C510FRL, with T-handle for C511FRL, with adjustment screw for C512FRL		
Relieving function	relieving, optionally non-relieving		
Gauge port	G ³ / ₈ on both sides of the body		
Filter element	40 µm, optionally 5 µm, made of sintered bronze		
Bowl	metal bowl with sight glass		
Drainage	manual drain as standard, optionally automatic drain, max. 10 bar		
Temperature range	0 °C to 80 °C		
Material	Body: alu die-cast	Bowl: alu die-cast	Elastomer: NBR
	Spring cage: glass fibre-reinforced plastic		
	Inner valve: brass, plastic		



Dimensions			Combination consisting of	Flow rate		P ₁ max. bar	Connection thread G	Pressure range bar	Order number
A	B	C		m ³ /h*1	l/min*1				

FRL unit, 3-part				manual drain, relieving, max 17 bar with pressure gauge, Filter element 40 µm			C510FRL				
240	235	149	F510+R510+L510	126	2100	17	G ¹ / ₄	0.2 ... 2	C510FRL-02WJA		
								0.4 ... 4	C510FRL-02WJB		
			F510+R512+L510					1.0 ... 10	C510FRL-02WJC		
								1.7 ... 17	C512FRL-02WJD		
240	235	149	F510+R510+L510	132	2200	17	G ³ / ₈	0.2 ... 2	C510FRL-03WJA		
								0.4 ... 4	C510FRL-03WJB		
			F510+R512+L510					1.0 ... 10	C510FRL-03WJC		
								1.7 ... 17	C512FRL-03WJD		
240	235	149	F510+R510+L510	138	2300	17	G ¹ / ₂	0.2 ... 2	C510FRL-04WJA		
								0.4 ... 4	C510FRL-04WJB		
			F510+R512+L510					1.0 ... 10	C510FRL-04WJC		
								1.7 ... 17	C512FRL-04WJD		

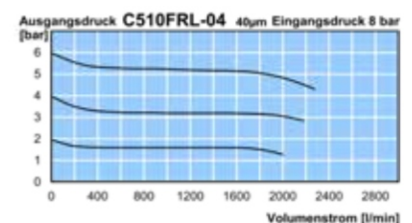
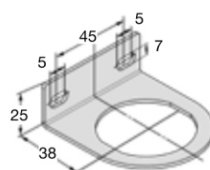
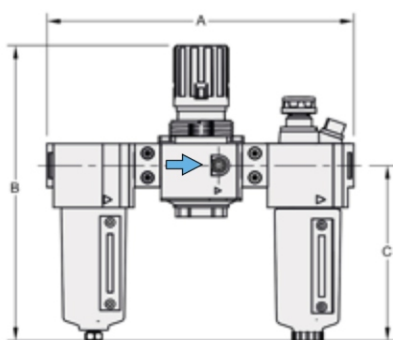


Special options, add the appropriate letter

T-handle	including locknut	up to 10 bar B + 20 mm	C511FRL -0 . W . .
adjusting screw	including locknut	up to 10 bar B + 20 mm	C512FRL -0 . W . .
5 µm filter element			C51 . FRL -0 . WG .
non relieving	without relieving function		C51 . FRL -0 . W . . K
automatic drain	SA-500, max. 10 bar		C51 . FRL -0 . W . . R

Accessories, enclosed

pressure gauge	50 mm, 0... ² bar, G ¹ / ₈	MA5001- . . ²
mounting bracket	made of steel	BW48-00
mounting nut	made of plastic	M48x1,5K



*1 at 8 bar supply pressure, 6 bar outlet pressure and 1 bar pressure drop

*2 02 = 0...2,5 bar, 04 = 0...4 bar, 06 = 0...6 bar, 10 = 0...10 bar, 16 = 0...16 bar, 25 = 0...25 bar

