

C2 / C3 - Unité de conditionnement FRL, modulaire, en technopolymère, pour air comprimé et gaz neutres

Description

Made up of modular components which can be combined to form compact units.
Switch-on and soft start valves available as additional modules.
compressed air or non-corrosive gases
max. 12.5 bar, max. 7 bar at lubricator with oil level indicator, max. 16 bar for Series 042
G $\frac{1}{4}$ or G $\frac{1}{2}$ at series 095, on both sides of the body, one screw plug supplied
20 μ m, optionally 5 μ m, made of sintered polyethylene
plastic version with bayonet catch, series 042 with connection thread
manual drain with semiautomatic drain, optionally automatic drain
optionally with semiautomatic oil refilling without need to interrupt operation
If the oil level falls below the limit value, a float will close a signal contact.
Contact: NO Voltage: max. 115 V
0 °C to 50 °C / 32 °F to 122 °F
Body: nylon, POM at series 042 Inner valve: brass
Bowl: polyamide Thread insert: brass
Elastomer: NBR/Buna-N

Media

Supply pressure

Gauge port

Filter element

Bowl

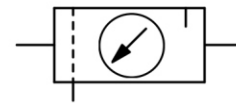
Drain

Oil refilling

Oil level indicator

Temperature range

Material



G $\frac{1}{4}$ up to G1

Dimensions				Combination	Bowl	Flow	Connection	Order
A	B	C	K	consist	design	rate	thread	number
mm	mm	mm	mm	of	made of / with	m ³ /h*1	G	

FRL unit, 2-part

P₁: max. 12.5 / 16 bar, P₂: 0...8 bar, 20 μ m,
semiautomatic drain, with pressure gauge

C2

84	208	126	-	B+L042	plastic/	59	980	G $\frac{1}{4}$	C242-02HC
115	239	148	126	B+L050	bowl guard	84	1400	G $\frac{3}{8}$	C250-03HC
115	239	148	126	B+L052		90	1500	G $\frac{1}{2}$	C252-04HC
139	276	173	151	B+L075		132	2200	G $\frac{1}{2}$	C275-04HC
212	276	173	-	B+L080		138	2300	G $\frac{3}{4}$	C280-06HC
210	415	237	230	B+L095		480	8000	G1	C295-08HC



C242

FRL unit, 3-part

P₁: max. 12.5 / 16 bar, P₂: 0...8 bar, 20 μ m,
semiautomatic drain, with pressure gauge

C3

126	208	126	-	F+R+L042	plastic/	59	980	G $\frac{1}{4}$	C342-02HC
178	239	148	189	F+R+L050	bowl guard	84	1100	G $\frac{3}{8}$	C350-03HC
178	239	148	189	F+R+L052		90	1500	G $\frac{1}{2}$	C352-04HC
215	276	173	227	F+R+L075		132	2200	G $\frac{1}{2}$	C375-04HC
288	276	173	-	F+R+L080		138	2300	G $\frac{3}{4}$	C380-06HC
325	411	237	345	F+R+L095		480	8000	G1	C395-08HC



C375

Special options, add the appropriate letter

5 μ m filter element

0...12 bar regulating range

automatic drain

semiautomatic oil refilling

oil level indicator

C400200130

P_{min.} 3 bar

P_{max.} 7 bar max. 115 V / NO

for C.42 to C.80

for C.50 to C.95

C...-0.G.

C...-0...D

C...-0...R

C...-0...X65

C...-0...X66

Accessories, enclosed

mounting bracket

made of steel, mounting nut at the device for C.42
for C.50 to C.80

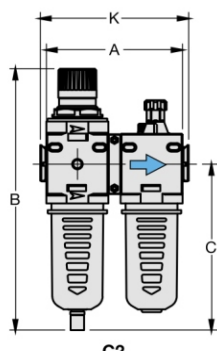
BW30-01

BW42-01

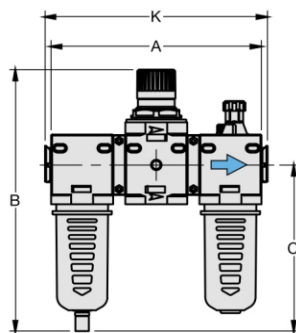
set of brackets

made of steel, mounting nut at the device for C.95

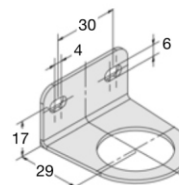
BW00-02



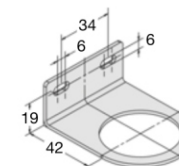
C2



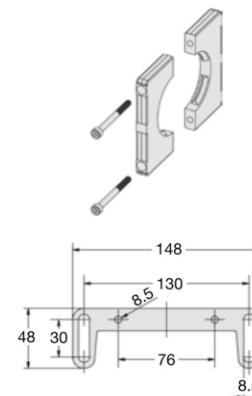
C3



BW30-01



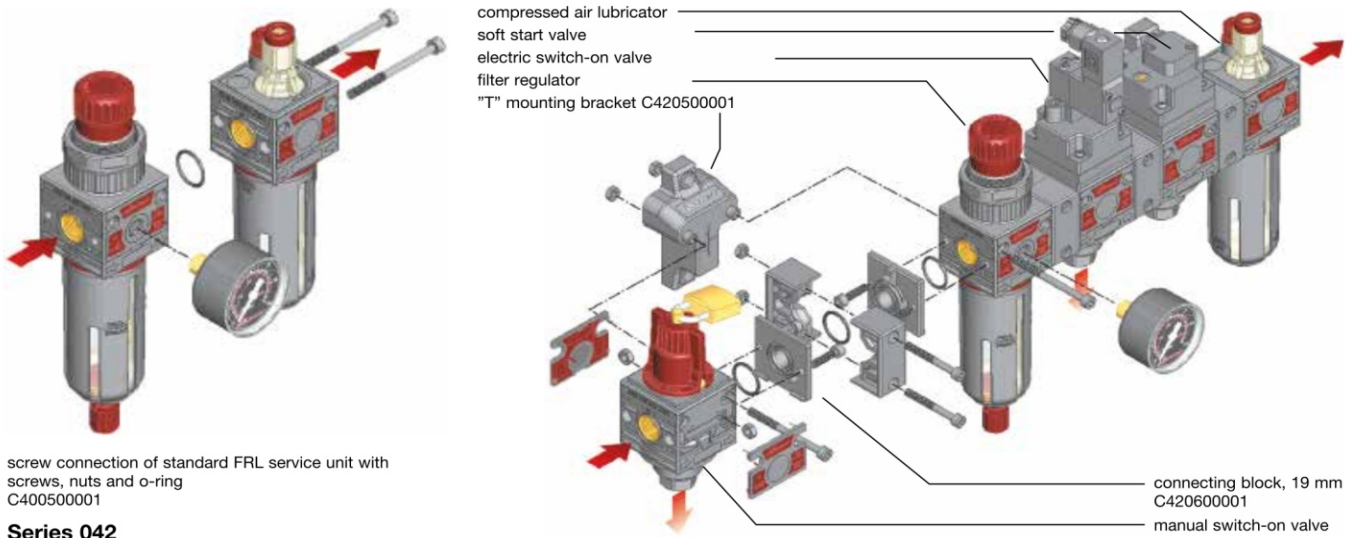
BW42-01



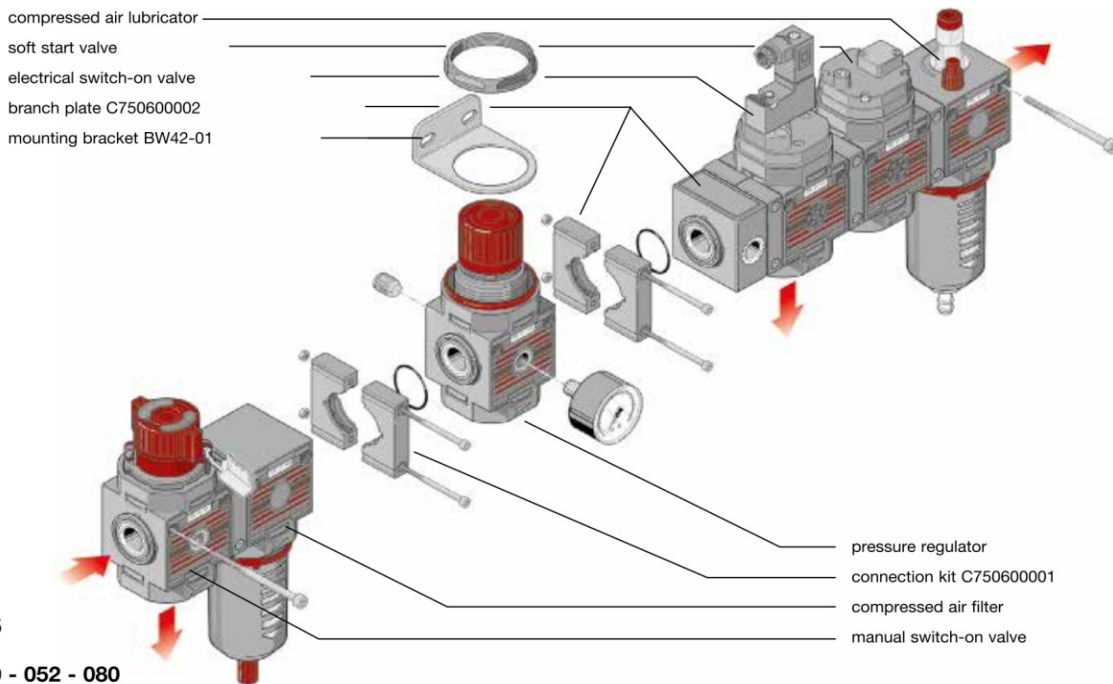
BW00-02

*1 at 10 bar supply pressure, 6 bar outlet pressure and 1 bar pressure drop
*2 04 = 0...4 bar, 10 = 0...10 bar, 16 = 0...16 bar

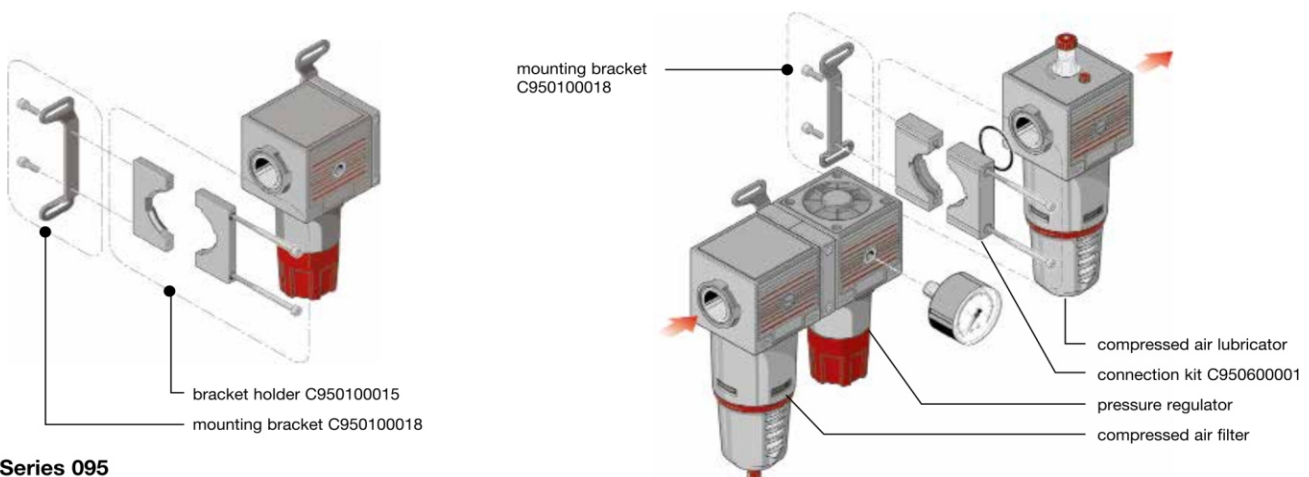
C2 / C3 - Unité de conditionnement FRL, modulaire, en technopolymère, pour air comprimé et gaz neutres



Series 042



Series 075
similar to
Series 050 - 052 - 080



Series 095