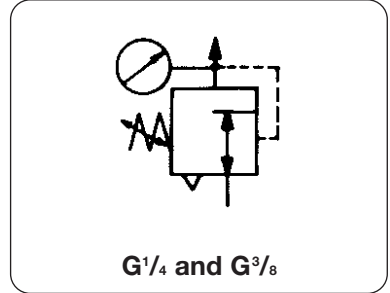


# Gauge Pressure Regulator

RM



<b>Description</b>	Diaphragm-operated pressure regulator with integrated gauge in the handwheel. The regulator is user-friendly and saves on space for a gauge in the panel.	
<b>Adjustment</b>	Knob with integrated gauge. The RM1 regulator has a tamper-proof knob with snap-lock.	
<b>Relieving</b>	all regulators are relieving	Gauge port: G <sup>1</sup> / <sub>4</sub> on both sides of the body
<b>Supply pressure</b>	RM1: max. 16 bar / 230 psi	RM2: max. 25 bar / 360 psi
<b>Gauge</b>	RM1: scale in bar	RM2: scale in bar and psi
<b>Temperature range</b>	RM1: -10 °C to 60 °C / 14 °F to 140 °F	RM2: -10 °C to 90 °C / 14 °F to 190 °F
<b>Materials</b>	RM1: body: zinc diaphragm: NBR	RM2: body: zinc and aluminium diaphragm: NBR



Dimensions			K <sub>v</sub> -value (m <sup>3</sup> /h)	Flow capacity		Connection thread G	Pressure range bar	Order number
W	H	C		m <sup>3</sup> /h*	l/min*			

Pressure regulator			supply max. 16 bar, gauge range 30% above pressure range		including nut		RM1	
48	136	26	1.2	84	1400	G <sup>1</sup> / <sub>4</sub>		0.1... 3 0.2... 6 0.3...10
48	136	26	1.3	90	1500	G <sup>3</sup> / <sub>8</sub>	0.1... 3 0.2... 6 0.3...10	RM1 - 03A RM1 - 03B RM1 - 03C

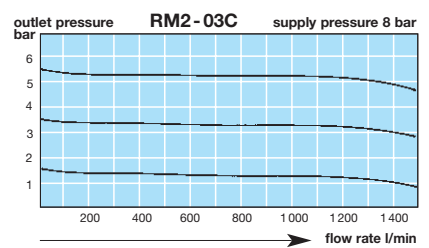
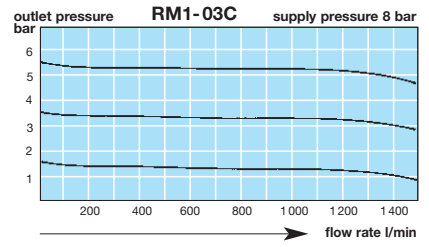
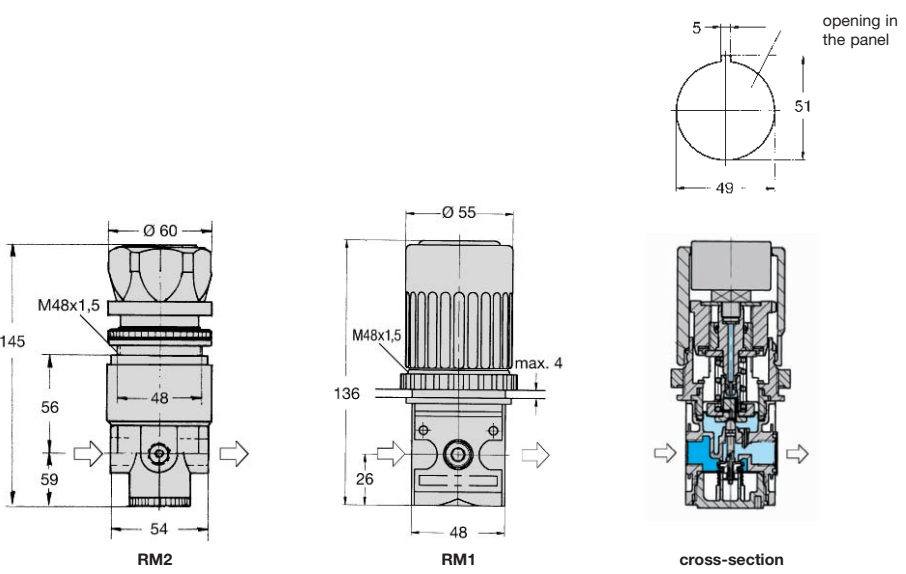


RM1 - 02B

Pressure regulator			supply max. 25 bar, gauge range 30% above pressure range		including nut		RM2	
54	145	30	0.9	66	1100	G <sup>1</sup> / <sub>4</sub>		0.1... 3 0.2... 6 0.3...10 0.5...16
54	145	30	1.0	72	1200	G <sup>3</sup> / <sub>8</sub>	0.1... 3 0.2... 6 0.3...10 0.5...16	RM2 - 03A RM2 - 03B RM2 - 03C RM2 - 03D



RM2 - 03D



\* at 7 bar supply pressure, 6 bar outlet pressure and 1 bar pressure drop

<b>For your information:</b>	1 bar: 14.5 psi	1 l/min: 0.035 scfm	1 mm: 0.039 inch	Pressure gauge: Please consult chapter "Gauges"
	1 psi: 0.069 bar	1 scfm: 28.3 l/min	1 inch: 25.4 mm	

**Order example:**  
RM1 - 03C