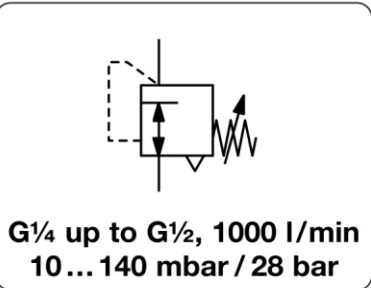


# 10 - Régulateur de pression de précision, à forte capacité en débit et très stable

<b>Description</b>	The diaphragm pressure regulator provides precision regulation in high flow applications. A balanced inner valve, sensitive rolling diaphragm and carefully positioned aspirator tube ensure constant outlet pressure even with changing supply pressure and flow fluctuations.	
<b>Media</b>	compressed air or non-corrosive gases	
<b>Supply pressure</b>	max. 35 bar	
<b>Accuracy</b>	response sensitivity: < 2 mbar	
<b>Air consumption</b>	max. 6 l/min, subject to outlet pressure	
<b>Adjustment</b>	by handwheel with locknut	
<b>Relieving function</b>	relieving, optionally non-relieving	
<b>Relief capacity</b>	150 l/min at 1.5 bar outlet and 0.35 bar overpressure above setpoint	
<b>Gauge port</b>	¼" NPT, on both sides of the body	
<b>Temperature range</b>	0 °C to 90 °C / 32 °F to 194 °F, for appropriately conditioned compressed air down to -40 °C / -40 °F	
<b>Material</b>	Body: aluminium die-cast	Inner valve: brass, galvanized steel
	Elastomer: NBR/Buna-N, optionally FKM	



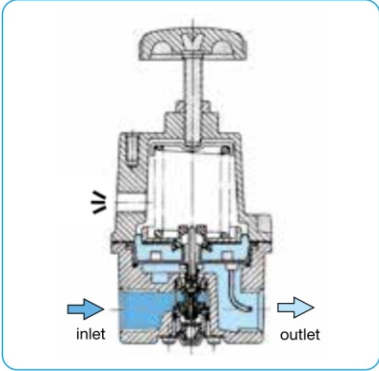
Dimensions			K <sub>v</sub> -value	Flow rate	Connection thread	Pressure range	Order number
A	B	C					
mm	mm	mm	(m³/h)	m³/h*1	l/min*1	G	bar

Precision pressure regulator							supply pressure max. 35 bar, relieving, with constant bleed	Model 10
67	169	26	0.64	60	1000	G¼	0.01 ... 0.14	<b>10212H</b>
							0.01 ... 0.7	<b>10222H</b>
							0.01 ... 1.4	<b>10202H</b>
							0.01 ... 2.1	<b>10232H</b>
							0.07 ... 4.1	<b>10242H</b>
							0.14 ... 10	<b>10262H</b>
67	178	26	0.64	60	1000	G¼	0.20 ... 14	<b>10272H</b>
							0.30 ... 21	<b>10282H</b>
							0.30 ... 28	<b>10292H</b>



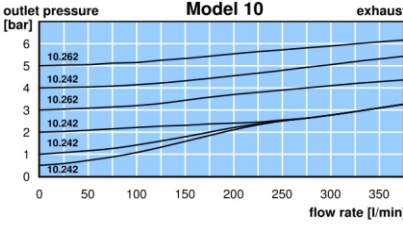
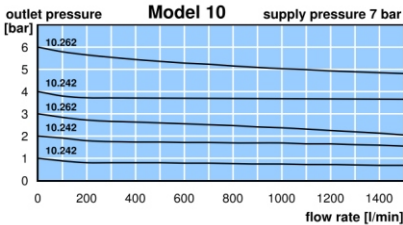
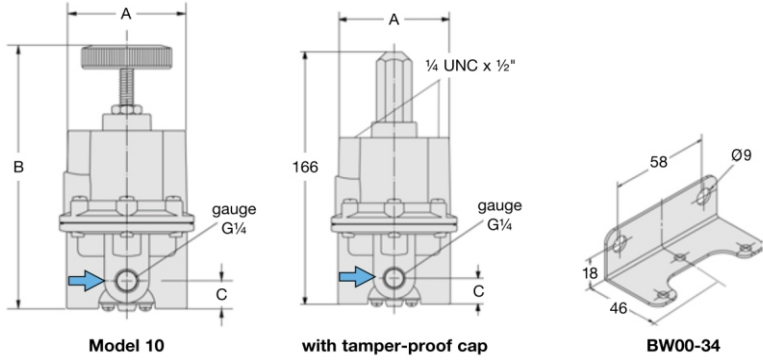
**Special options, add the appropriate letter**

<b>G¾</b>	connection thread	102 .3H
<b>G½</b>	connection thread, recommended for mbar range	102 .4H
<b>NPT</b>	connection thread	102 .2
<b>non-relieving</b>	and without constant bleed	102 .2 .N
<b>reduced bleeding</b>	approx. 2 l/min	102 .2 .B
<b>for small flow rate</b>	high constant bleed for more sensitivity	102 .2 .L
<b>tapped exhaust</b>	G¼ connection thread	102 .2 .E
<b>FKM elastomer</b>		102 .2 .J
<b>for oxygen</b>	specially cleaned	102 .2 .SC
<b>no yellow metals</b>	FKM elastomer	102 .2 .X63
<b>tamper-proof cap</b>	aluminium, adjustment by screwdriver, total height 166 mm	102 .2 .T



**Accessories, enclosed**

<b>pressure gauge</b>	Ø 63 mm, 0...160 mbar, G¼, capsule type	<b>MA6302-C2</b>
<b>pressure gauge</b>	Ø 50 mm, 0...*2 bar, G¼, Bourdon tube	<b>MA5002-..*2</b>
<b>gauge connection</b>	made of brass, adapter ¼" NPT - G¼ female	<b>AM-06</b>
<b>mounting bracket</b>	made of steel	<b>BW00-34</b>



\*1 at 7 bar supply pressure, 6 bar outlet pressure and 1 bar pressure drop  
\*2 01 = 0...1 bar, 02 = 0...2.5 bar, 06 = 0...6 bar, 10 = 0...10 bar, 16 = 0...16 bar, 25 = 0...25 bar, 60 = 0...60 bar

