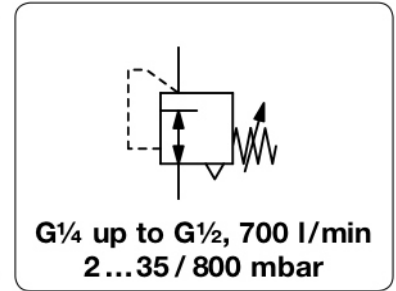


R110 - Régulateur basse pression à forte capacité de décompression, diaphragme à rouleau, bonne sensibilité et dimensions réduites

Description	Diaphragm regulator with small dimensions. Suitable for low pressure applications, with high relief capacity. A sensitive rolling diaphragm ensure constant outlet pressure even with changing supply pressure and flow fluctuations.	
Media	compressed air or non-corrosive gases	
Recommendation	connection thread G½ for pressure range 0...35 / 140 / 280 mbar	
Supply pressure	max. 10 bar	
Accuracy	response sensitivity: < 0,2 mbar	Air consumption max. 2 l/min depending on outlet pressure
Adjustment	by handwheel with locknut	
Relieving function	relieving, optionally non-relieving	Relief capacity 14 l/min at 7 mbar above setpoint 70 mbar
Gauge port	G¼ on both sides of the body, optionally ¼NPT	
Mounting position	any	
Temperature range	0 °C to 90 °C / 32 °F to 194 °F, for appropriately conditioned compressed air down to -40 °C / -40 °F	
Material	Bod<-: aluminium die-cast Inner valve: stainless steel and galvanised steel Elastomer: NBR/Buna-N, optionally FKM	



Dimensions			K _v -value (m³/h)	Flow rate m³/h*1 l/min*1	Connection thread G	Pressure range mbar	Order number
A mm	B mm	C mm					

Precision regulator for low pressure							supply pressure max. 10 bar, relieving, with constant bleed	R110
67	180	25	0,4	42	700	G¼	2... 35	R110-020
							2... 140	R110-02A
							2... 280	R110-02B
							2... 400	R110-02C
							2... 800	R110-02D
67	180	25	0,4	42	700	G½	2... 35	R110-040
							2... 140	R110-04A
							2... 280	R110-04B
							2... 400	R110-04C
							2... 800	R110-04D



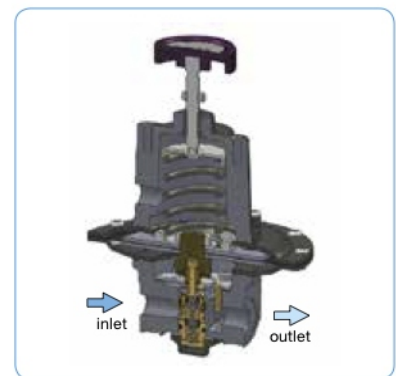
R110

Special options, add the appropriate letter

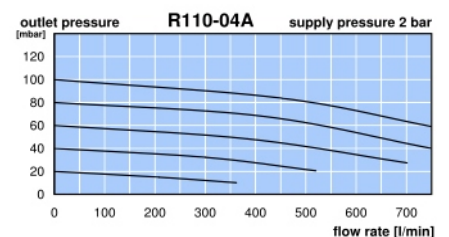
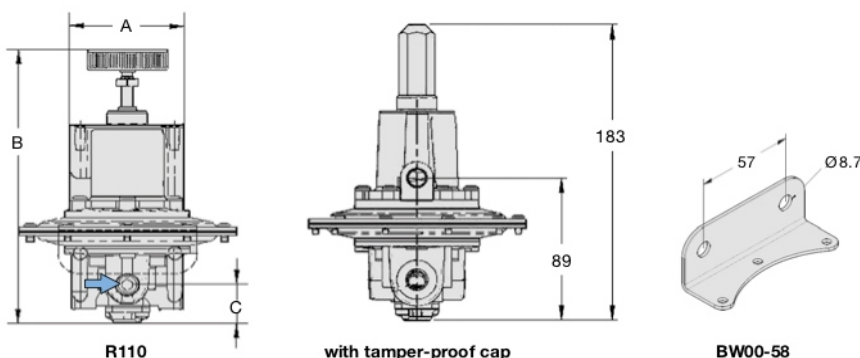
G¾	connection thread	R110-03 .
NPT	connection thread	R110-0 . . N
non-relieving	without constant bleed	R110-0 . . K
reduced bleeding	ca. 1 l/min	R110-0 . . X19
tapped exhaust	connection thread G¼	R110-0 . . X12
FKM elastomer		R110-0 . . V
tamper-proof cap	aluminium, adjustment by screwdriver, total height 183 mm	R110-0 . . T

Accessories, enclosed

pressure gauge	Ø 63 mm, 0... *2 mbar, G¼, capsule type	MA6302-... *2
	Ø 63 mm, 0... 600mbar, G¼, Bourdon tube	MA6302- C6
	Ø 63 mm, 0... 1 bar, G¼, Bourdon tube	MA6302- 01
gauge connectors	NPT connection thread, adapter ¼" NPT to G¼ female	VP-0202N
mounting bracket	made of steel	BW00-58



cross-section



*1 at 7 bar supply pressure, 800 mbar outlet pressure and 40 mbar pressure drop
*2 B6 = 0...60 mbar, C2 = 0...160 mbar, C3 = 0...250 mbar, C4 = 0...400 mbar